

LODESTONE PACIFIC



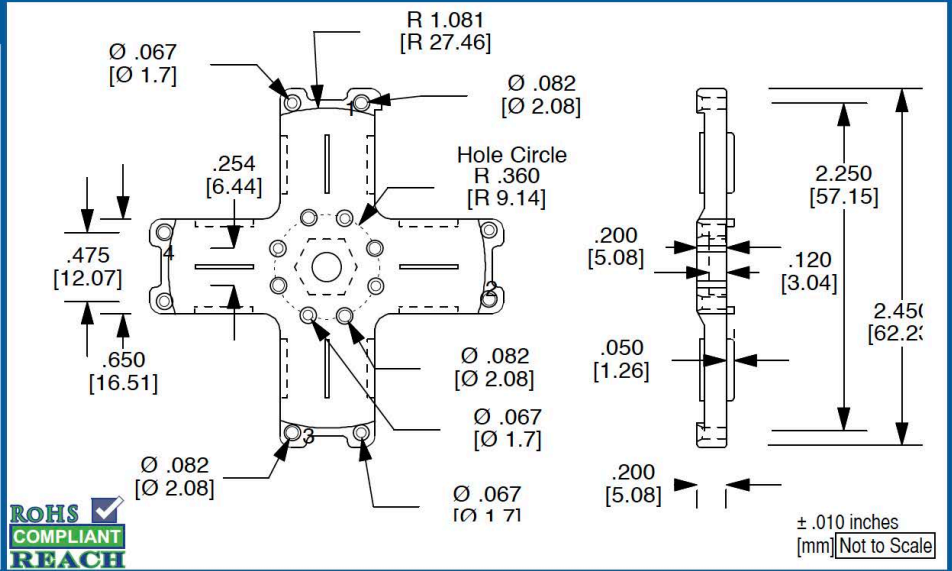
Phone: (800) 694-8089
www.lodestonepacific.com
E-mail: sales@lodestonepacific.com

XM2200-08

Material: PET (Black)
UL Rating: UL94-VO, Class F
8 Terminals: Self Terminating
Package Method: Bulk in Polypags

Application: The X-Mount is for horizontal mounting of larger toroids up to 2.20 inches in diameter. The .067" (#12AWG) or .082" (#14 AWG) holes facilitate easy assembly and position the toroids winding wire for connection to the PCB. The HTS toroid spacer (page 43) can be used in common mode applications to attach the toroid to the X-Mount or to the PCB. The TR toroid retainer (page 43) can also be used to attach the toroid to the X-mount or to the PCB.

Made in our China Factory



[Request a Sample](#)

[View Inventory](#)

[Request a Quote](#)

[Toroid Mount Selector](#)

[REACH Database](#)

[Coil Winder Database](#)