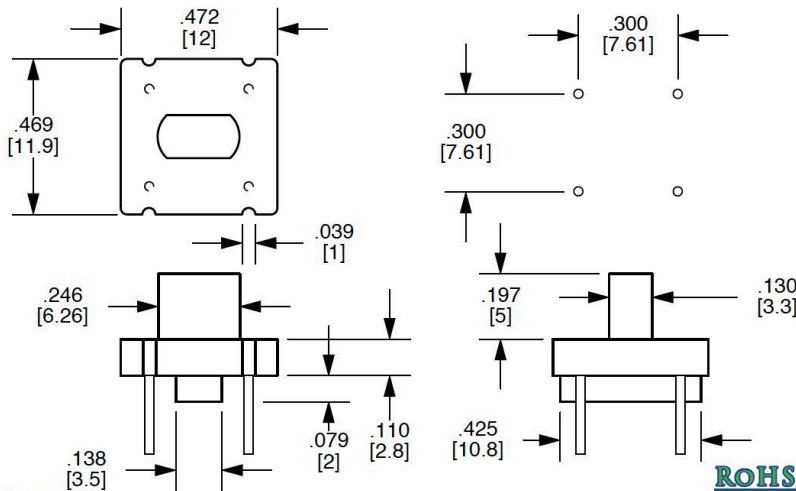


LODESTONE PACIFIC



Phone: (800) 694-8089
www.lodestonepacific.com
E-mail: sales@lodestonepacific.com

TM470-4



+/- .010 Inches
(mm) 2 x Size



Material: PH3 (Black)
UL Rating: UL94-VO, Class F
6 Terminals: .028 [7mm] CP Wire
100% Tin Plate
Solderability: Per MIL-STD-202
Method 208
Package Method: Bulk in Poly Bags
See RoHS compliant PVC packaging trays
on page 57.
Application: For horizontal mounting of
transformer and inductors using a wound
toroid up to .470 inches in diameter. The
center post is ideal for winding separa-
tion in common mode applications.
Made in our China Factory

[Request a Sample](#)

[View Inventory](#)

[Request a Quote](#)

[Toroid Mount Selector](#)

[REACH Database](#)

[Coil Winder Database](#)