

# LODESTONE PACIFIC



Phone: (800) 694-8089  
www.lodestonepacific.com  
E-mail: sales@lodestonepacific.com

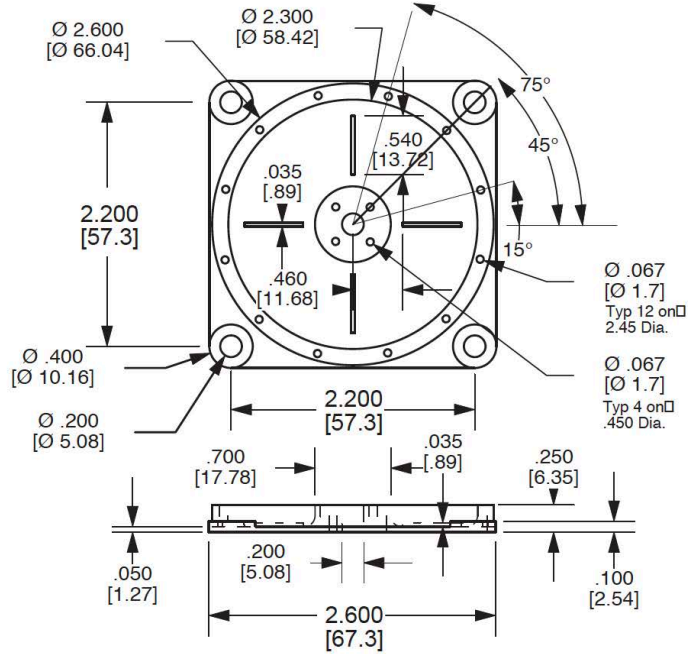
## TM2300-016

**Material:** PET (Black)  
**Rating:** UL 94-VO, Class N  
**16 Terminals:** Self Terminating  
**Package Method:** Bulk in Polybags

**Application:** For mounting wound toroids up to 2.30 inches in diameter. The toroids winding leads pass through holes in the bottom of the mount and are used to make the connection to the PCB. Four #10 bolt holes allow mounting to a chassis or on "stilts" above a crowded printed circuit board. The bolt holes can also be used to connect "flying leads".

The reservoir portion of the mount will hold epoxy or RTP used to attach the coil.

Made in our China factory



± .010 inches  
[mm] Not to Scale

[Request a Sample](#)

[View Inventory](#)

[Request a Quote](#)

[Toroid Mount Selector](#)

[REACH Database](#)

[Coil Winder Database](#)