

LODESTONE PACIFIC

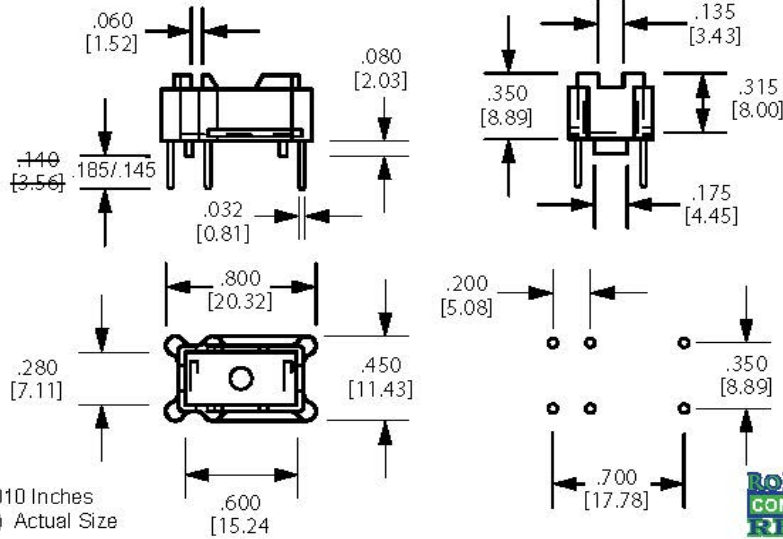


Phone: (800) 694-8089
www.lodestonepacific.com
E-mail: sales@lodestonepacific.com

VTM600-6

Material: GFN (Natural)
UL Rating: UL94-VO, Class F
6 Terminals: CP Wire
100% Tin Plate
Solderability: Per MIL-STD-202
Method 208
Package Method: Bulk in Poly Bags
See RoHS compliant PVC packaging trays
on page 57.
Application: For vertical mounting of
wound toroids up to .600 inches in diam-
eter in transformer, current sensing, and
gate drive transformer applications.

Made in our China Factory



[Request a Sample](#)

[View Inventory](#)

[Request a Quote](#)

[Toroid Mount Selector](#)

[REACH Database](#)

[Coil Winder Database](#)