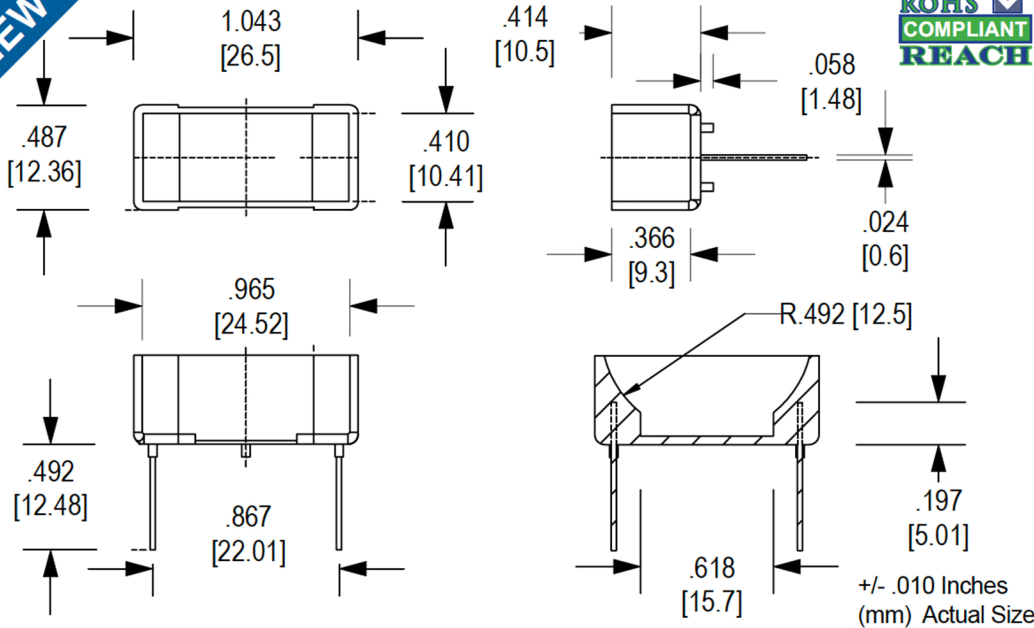


# LODESTONE PACIFIC



Phone: (800) 694-8089  
www.lodestonepacific.com  
E-mail: sales@lodestonepacific.com

**NEW**



**VTM945-2**

**Material:** FR530 (Black)  
**UL Rating:** UL94-VO, Class F  
**2 Terminals:** CP Wire  
100% Tin Plated  
**Solderability:** Per MIL-STD-202  
Method 208  
**Packaging Tray:** Bulk in Polybags.  
**Application:** For vertical mounting of  
wound toroids up to .950 inches in  
diameter.

Made in our China Factory

[Request a Sample](#)

[View Inventory](#)

[Request a Quote](#)

[Toroid Mount Selector](#)

[REACH Database](#)

[Coil Winder Database](#)