

LODESTONE PACIFIC



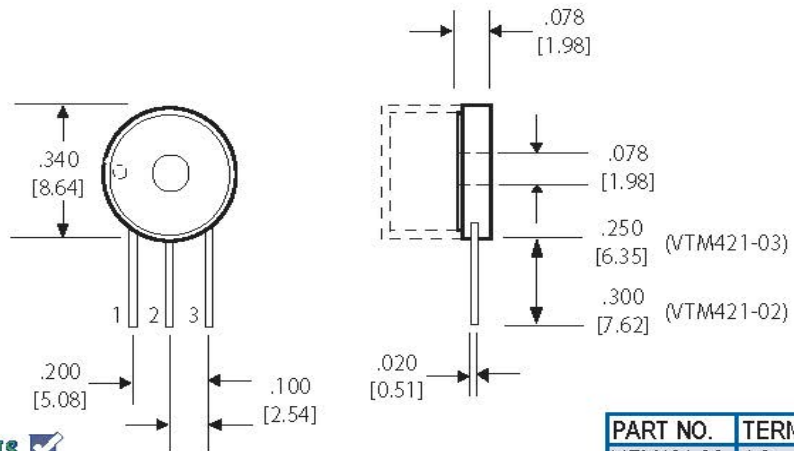
Phone: (800) 694-8089
 www.lodestonepacific.com
 E-mail: sales@lodestonepacific.com

VTM421-02 & VTM421-03

Material: DAP4
UL Rating: UL94-VO, Class F
Terminals: Brass Wire
 100% Tin Plated
Solderability: Per MIL-STD-202
 Method 208

Package Tray (HPS): TY45x70-B (150/Tray)
 See RoHS compliant PVC packaging trays on page 57.

Application: For vertical mounting of wound toroids up to .340 inches. Potting cup PC401 is available for encapsulation of the components on the VTM421 series (sold separately). See page 36.



+/- .010 Inches
 (mm) 2 x Size

| PART NO. | TERMINALS |
|-----------|-----------|
| VTM421-02 | 1,3 |
| VTM421-03 | 1,2,3 |

[Request a Sample](#)

[View Inventory](#)

[Request a Quote](#)

[Toroid Mount Selector](#)

[REACH Database](#)

[Coil Winder Database](#)