

LODESTONE PACIFIC



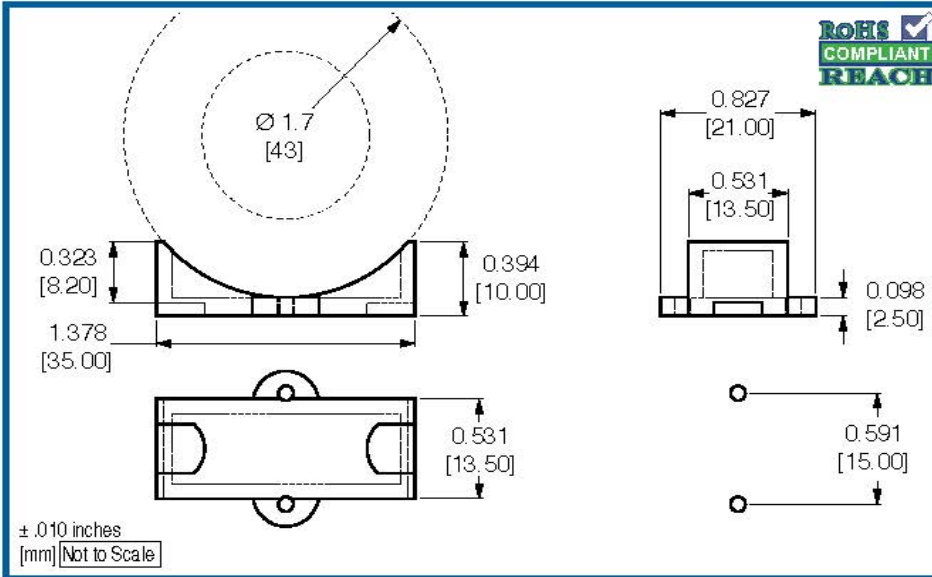
Phone: (800) 694-8089
www.lodestonepacific.com
E-mail: sales@lodestonepacific.com

VTM1600-02



Material: PBT (Black)
UL Rating: UL94-V0, Class B
2 Terminals: Self Terminating
Packaging: Bulk in Polybags
Application: For vertical mounting of wound toroids up to 1.7 inches in diameter. The 2 through holes allow self leading of 2 component leads.

Made in our China Factory



[Request a Sample](#)

[View Inventory](#)

[Request a Quote](#)

[Toroid Mount Selector](#)

[REACH Database](#)

[Coil Winder Database](#)