

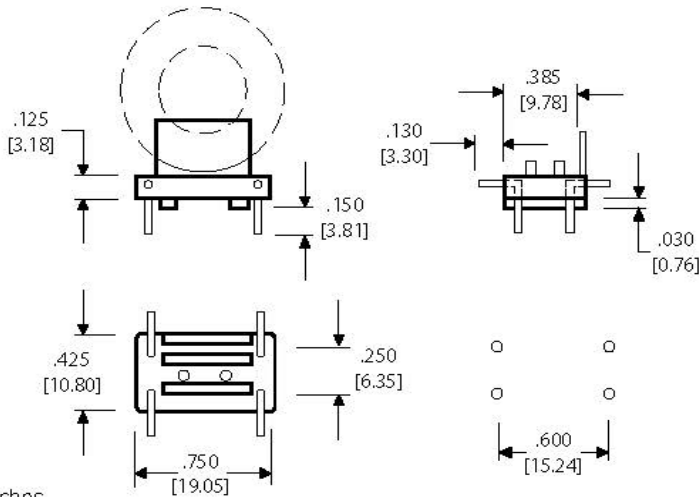
LODESTONE PACIFIC



Phone: (800) 694-8089
www.lodestonepacific.com
E-mail: sales@lodestonepacific.com

VTM100-4

Material: GFN (Natural)
UL Rating: UL94-VO, Class F
4 Terminals: Copper Wire
.040 Dia. (#18AWG)
100% Tin Plated
Solderability: Per MIL-STD-202
Method 208
Packaging: Bulk in Polybags
Application: An industry standard for vertical mounting of wound toroids up to 1.15 inches in diameter. VTM 100-0 is available with .037 through holes and no terminals.



+/- .010 Inches
(mm) Actual Size



[Request a Sample](#)

[View Inventory](#)

[Request a Quote](#)

[Toroid Mount Selector](#)

[REACH Database](#)

[Coil Winder Database](#)