

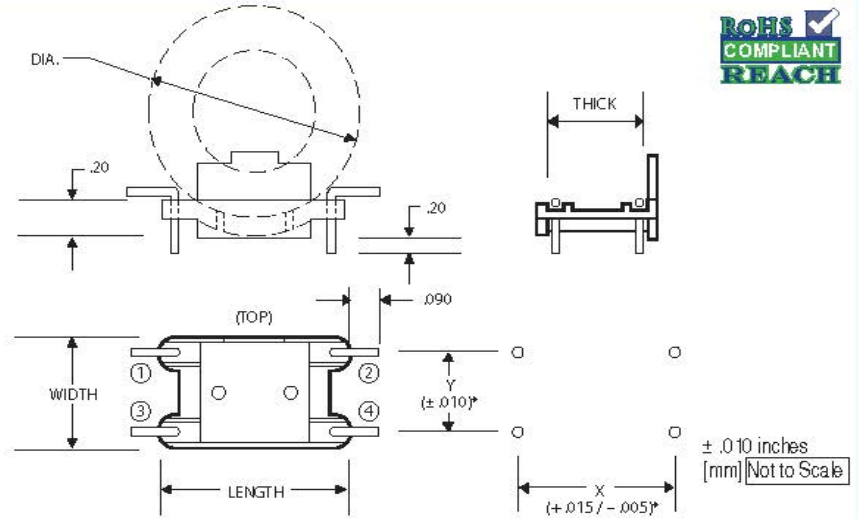
# LODESTONE PACIFIC



Phone: (800) 694-8089  
 www.lodestonepacific.com  
 E-mail: sales@lodestonepacific.com

## VTM SERIES

**Material:** GFN/GFN4 (Natural)  
**UL Rating:** UL 94-V0, Class F  
**4 Terminals:** Copper Wire  
 100% Tin Plated  
**Solderability:** Per MIL-STD-202  
 Method 208  
**Packaging:** Bulk in Polybags  
**Application:** For vertical mounting of  
 wound toroids from 1.00 to 2.8 inches in  
 diameter. The VTM series is available  
 with the four terminals shown or without  
 terminals (.048 through hole).



PART NO.	LENGTH	WIDTH	THICK.	DIA.	X	Y	TERMINALS
VTM120-0	1.00	.60	.51	1.20	.80	.40	None (.048 Holes)
VTM120-4	[25.4]	[15.24]	[12.95]	[30.48]	[20.32]	[10.16]	4=#16 AWG (.050)
VTM160-0	1.10	.80	.71	1.60	.90	.60	None (.048 Holes)
VTM160-4	[27.94]	[20.32]	[18.03]	[40.64]	[22.86]	[15.24]	4=#16 AWG (.050)
VTM254-0	1.40	.90	.81	2.54	1.20	.70	None (.048 Holes)
VTM254-4	[35.56]	[22.86]	[20.57]	[64.51]	[30.48]	[17.78]	4=#16 AWG (.050)
VTM280-0	1.70	1.10	1.01	2.80	1.50	.90	None (.048 Holes)
VTM280-4	[43.18]	[27.94]	[25.65]	[71.12]	[38.1]	[22.86]	4=#16 AWG (.050)

[Request a Sample](#)

[View Inventory](#)

[Request a Quote](#)

[Toroid Mount Selector](#)

[REACH Database](#)

[Coil Winder Database](#)