

LODESTONE PACIFIC

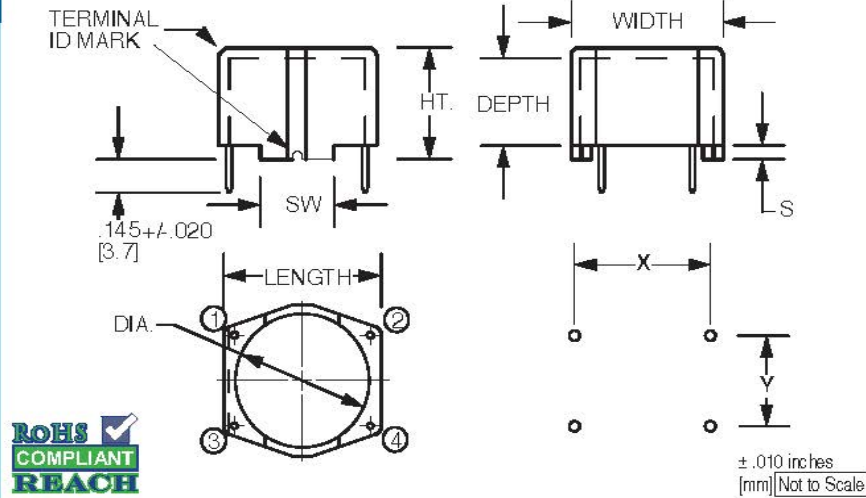


Phone: (800) 694-8089
 www.lodestonepacific.com
 E-mail: sales@lodestonepacific.com

HTC SERIES

Material: GFN (Natural)
UL Rating: UL94-VO, Class F
Terminals: CP Wire
 .026 X .026
 100% Tin Plated
Solderability: Per MIL-STD-202
 Method 208
Package Method: Bulk in Poly Bags
Application: Enclosed horizontal mounting of toroidal inductors and transformers up to 1.19 inches in diameter. Ideal for applications requiring potting, part number marking and automatic pick and place.

Made in our China factory



PART NO.	LENGTH	WIDTH	HT.	DEPTH	DIA.	SW	S	X	Y
HTC583-0	.689	.689	.492	.394	.602	.315	.060	.590	.394
HTC583-4	[17.5]	[16.9]	[12.50]	[10.0]	[15.3]	[8.0]	[1.5]	[15.00]	[10.00]
HTC764-0	.886	.886	.590	.472	.819	.405	.077	.787	.492
THC764-4	[22.5]	[22.5]	[15.0]	[10.0]	[20.8]	[10.3]	[2.0]	[20.0]	[12.5]
HTC965-0	1.080	1.080	.690	.550	.972	.472	.098	.984	.590
HTC965-4	[27.5]	[27.5]	[17.5]	[14.0]	[24.7]	[12.0]	[2.5]	[25.00]	[15.00]
HTC1208-0	1.300	1.300	.787	.695	1.190	.846	.060	1.181	.590
HTC1208-4	[33.0]	[33.0]	[20.0]	[17.65]	[30.23]	[21.5]	[1.52]	[30.00]	[15.00]

[Request a Sample](#)

[View Inventory](#)

[Request a Quote](#)

[Toroid Mount Selector](#)

[REACH Database](#)

[Coil Winder Database](#)