

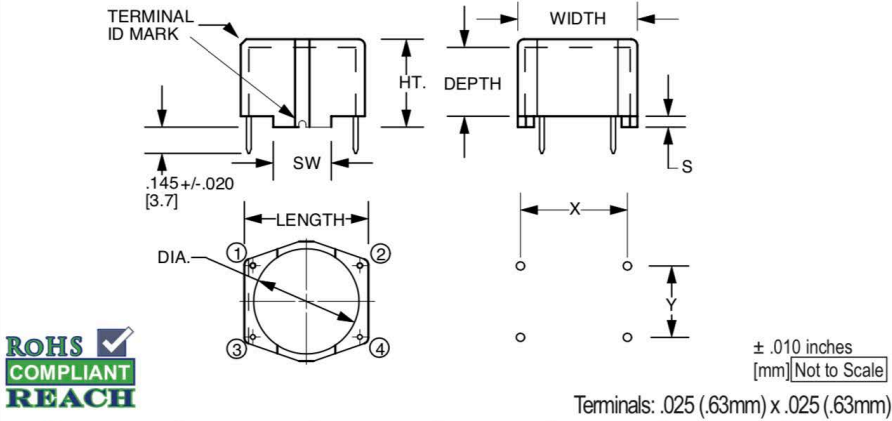
# LODESTONE PACIFIC



Phone: (800) 694-8089  
 www.lodestonepacific.com  
 E-mail: sales@lodestonepacific.com

## HTC583-4

**Material:** GFN (Natural)  
**UL Rating:** UL94-VO, Class F  
**4 Terminals:** CP Wire 100% Tin  
 Also Available with No Terminals  
**Solderability:** Per MIL-STD-202  
 Method 208  
**Package Method:** Bulk in Poly Bags  
 See RoHS compliant PET packaging trays  
 options on page 47.  
**Application:** For enclosed horizontal  
 mounting of wound toroids up to .600  
 inches in diameter.



PART NO.	LENGTH	WIDTH	HT.	DEPTH	DIA.	SW	S	X	Y
HTC583-0	.689	.669	.492	.394	.602	.315	.060	.590	.394
HTC583-4	[17.5]	[16.9]	[12.50]	[10.0]	[15.3]	[8.0]	[1.5]	[15.00]	[10.00]

[Request a Sample](#)

[View Inventory](#)

[Request a Quote](#)

[Toroid Mount Selector](#)

[REACH Database](#)

[Coil Winder Database](#)