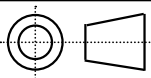
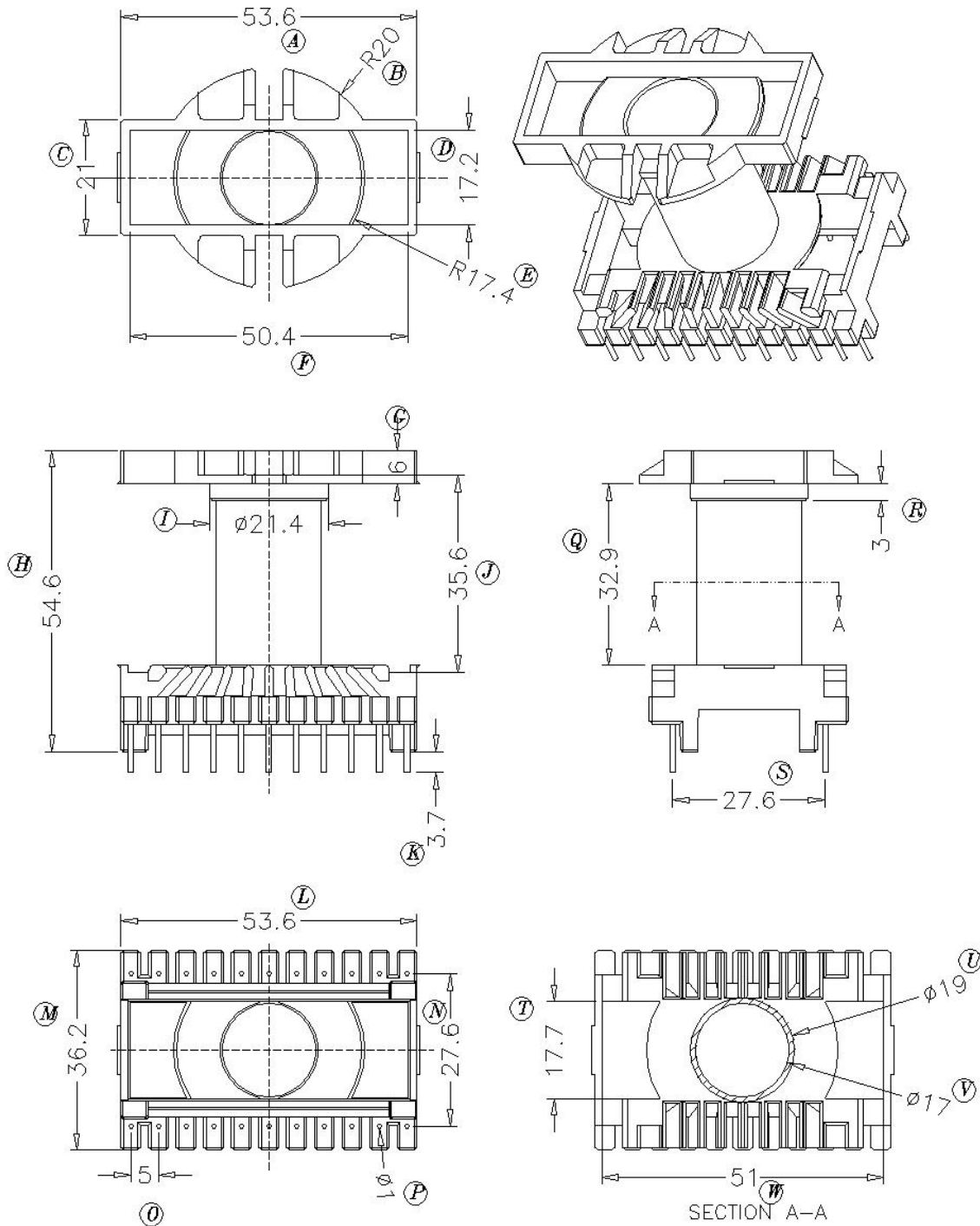




Core Fit Reference

1042	Ferroxcube:ETD49-XXXX	TDK:XXETD49-Z	Ferrite Intl:49-0000
	Simens:B66367	Fair-Rite:95**494902	Magnetics:X-44949-EC



Scale	Tolerance (mm)		
None	0-4mm +/-0.1	4-16mm +/-0.2	16-60mm +/-0.3

Terminal Plating	Terminal Material	No of Terminals	
100% Sn	CP Wire	22	



Molding Material	UL File No.	Rating	Class
T375J	E59481	UL94-V0	F
Bobbin Part Number			Rev No
B-ETD49V-22-1-PH3			1