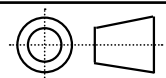
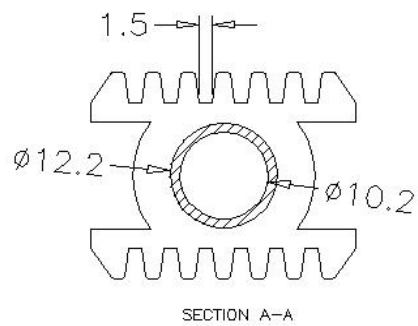
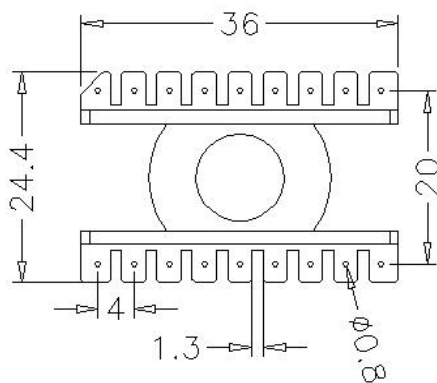
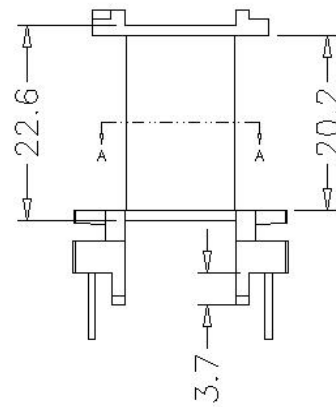
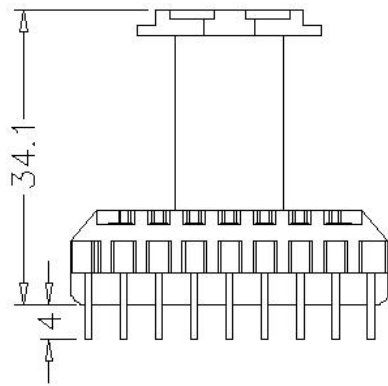
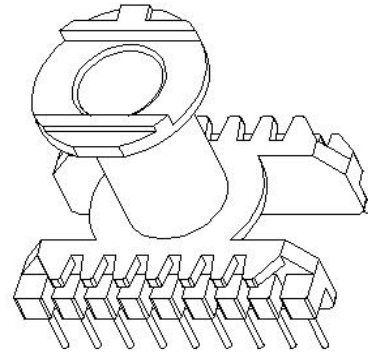
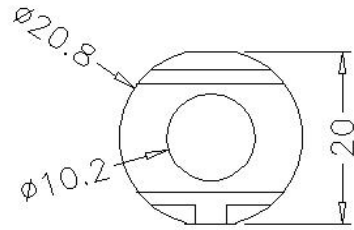


1040



Scale	Tolerance (mm)		
None	0-4mm +/-0.1	4-16mm +/-0.2	16-60mm +/-0.3

Terminal Plating	Terminal Material	No of Terminals	
100% Sn	CP Wire	18	

Molding Material	UL File No.	Rating	Class
PM-9820	E41429	UL94-V0	N

**Bobbin Part Number** Rev No

**B-EER2834V-18-1-PH2** 1