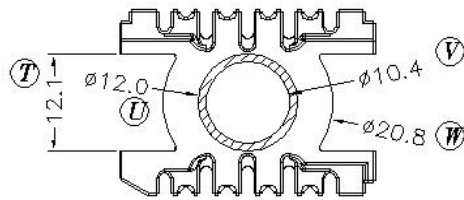
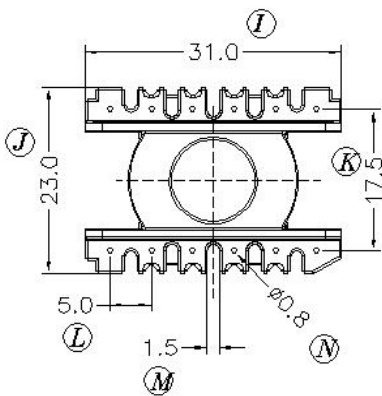
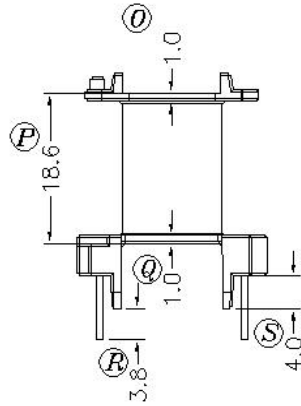
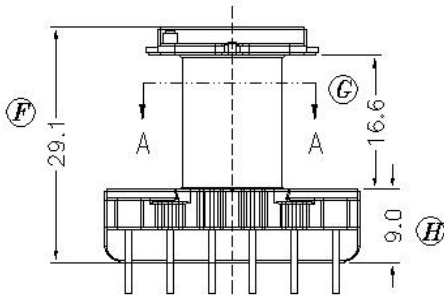
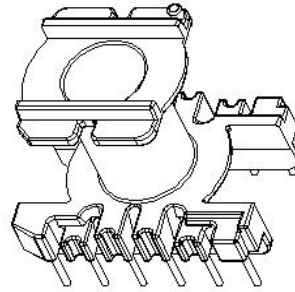
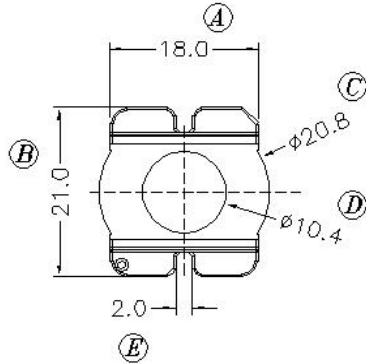
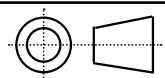


1018



SECTION A-A



Scale	Tolerance (mm)			Terminal Plating	Terminal Material	No of Terminals	
None	0-4mm +/-0.1	4-16mm +/-0.2	16-60mm +/-0.3	100% Sn	CP Wire	12	



LODESTONE PACIFIC

CHINA FACTORY

www.lodestonepacific.com

Molding Material	UL File No.	Rating	Class
T375J	E59481	UL94-V0	F
Bobbin Part Number			Rev No
B-EER2824-4V-12-1-PH3			1