

**Core Fit Reference**

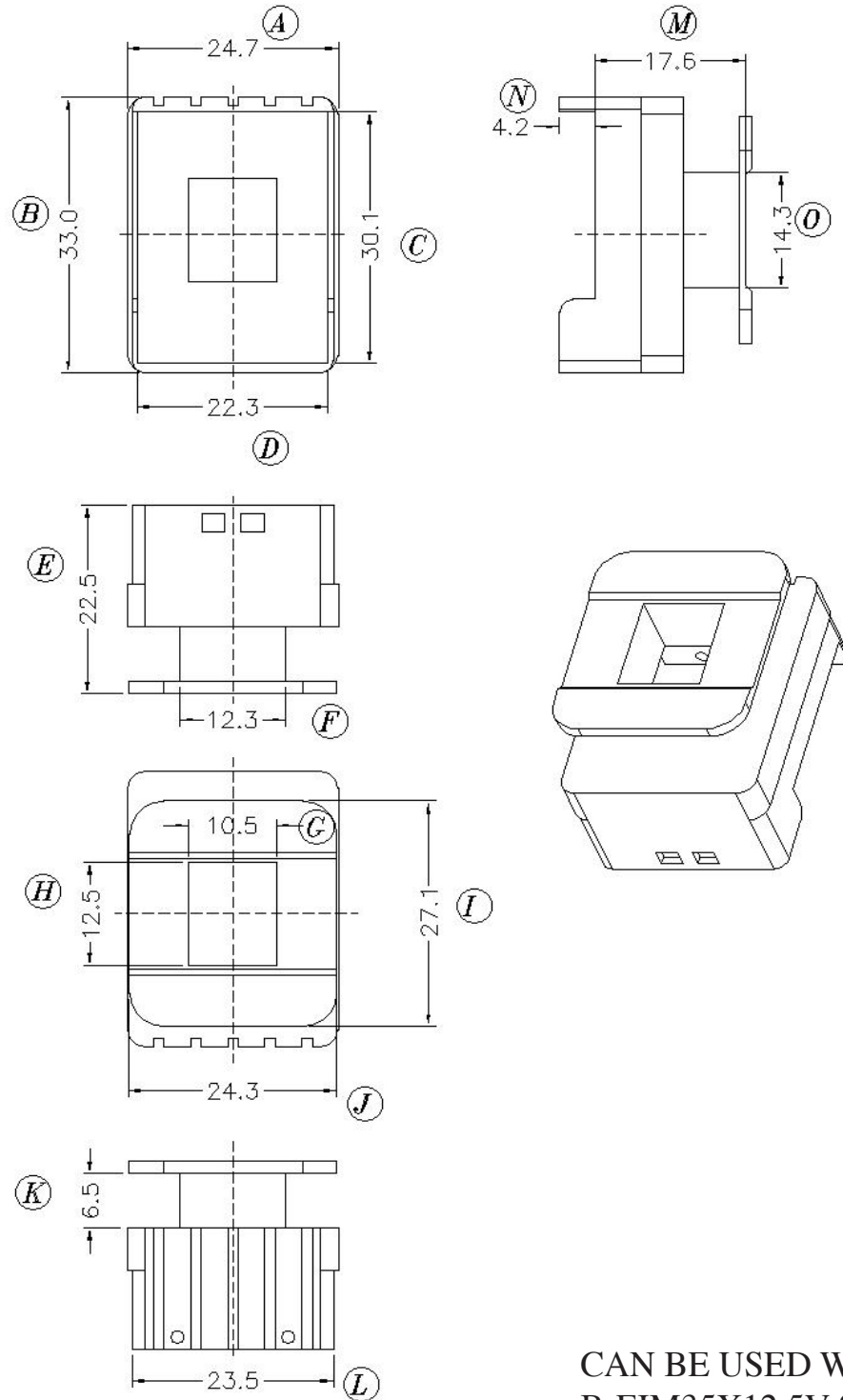
**0574**

**EI-35**

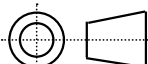
**EI-37**

**Metric**

**American**



CAN BE USED WITH BOBBIN  
 B-EIM35X12.5V-9-1-PET-S

	Scale	Tolerance (mm)			Terminal Plating	Terminal Material	No of Terminals	
	None	0-4mm +/-0.1	4-16mm +/-0.2	16-60mm +/-0.3	100% Sn	CP Wire		



Molding Material	UL File No.	Rating	Class
FR530	E41938	UL94-V0	N
Bobbin Part Number			Rev No
BS-EIM35X12.5V-9-1-PET			1