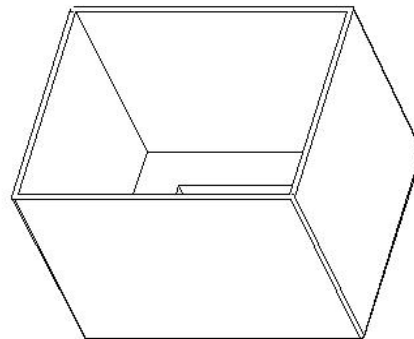
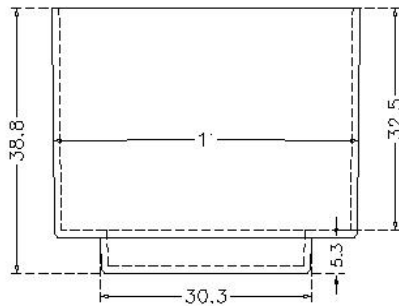
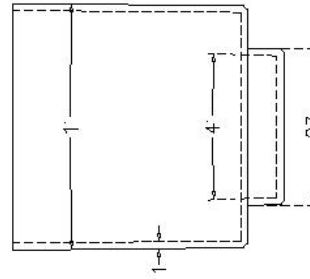
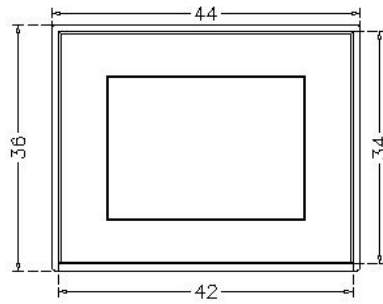




**Core Fit Reference**

<b>1190</b>		<b>EI-41</b>	<b>EI-50</b>
		<b>Metric</b>	<b>American</b>



CAN BE USED WITH BOBBIN  
B-EIM41X23H-7-2-PET

	<b>Scale</b>	<b>Tolerance (mm)</b>			<b>Terminal Plating</b>	<b>Terminal Material</b>	<b>No of Terminals</b>	
	None	0-4mm +/-0.1	4-16mm +/-0.2	16-60mm +/-0.3	100% Sn	CP Wire		
					<b>Molding Material</b>	<b>UL File No.</b>	<b>Rating</b>	<b>Class</b>
					FR530	E41938	UL94-V0	N
					<b>Bobbin Part Number</b>			
<b>BC-EIM41X23H-7-2-PET</b>							<b>1</b>	