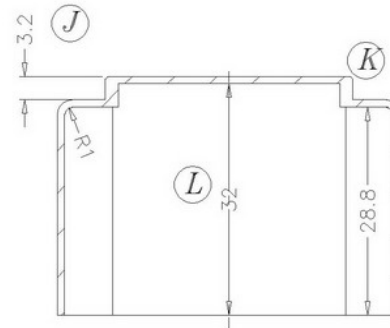
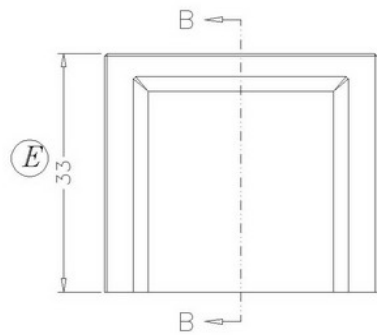
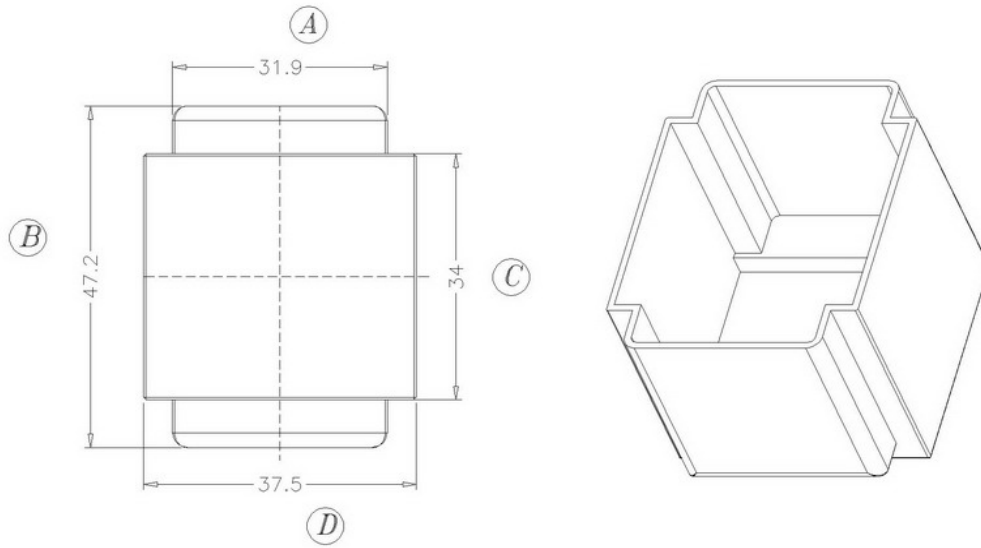
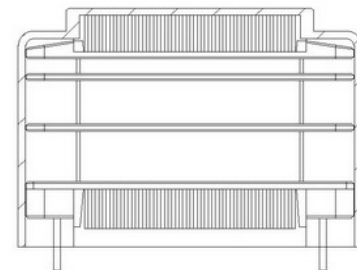
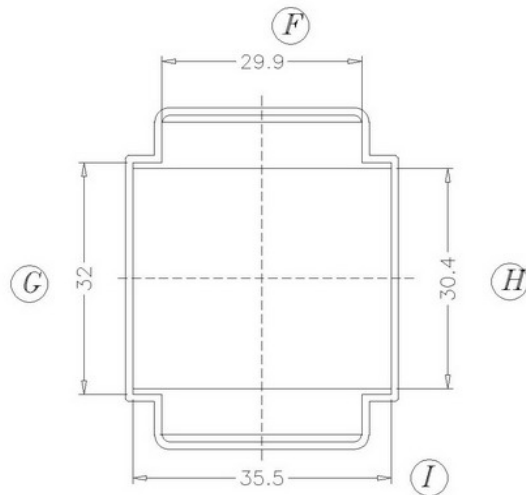


Core Fit Reference

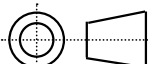
0832		EI-35	EI-37
		Metric	American



SECTION B-B



CAN BE USED WITH BOBBIN
 B-EIM35X29V-10-3-PBT

	Scale	Tolerance (mm)			Terminal Plating	Terminal Material	No of Terminals	
	None	0-4mm +/-0.1	4-16mm +/-0.2	16-60mm +/-0.3	100% Sn	CP Wire		

 **LODESTONE PACIFIC**
CHINA FACTORY
www.lodestonepacific.com

Molding Material	UL File No.	Rating	Class
PBT	E59481	UL94-V0	B
Bobbin Part Number			Rev No
BC-EIM35X29V-10-3-PBT			1