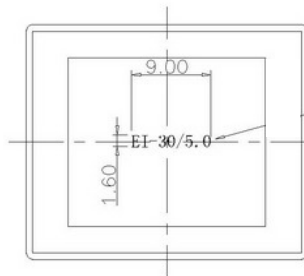
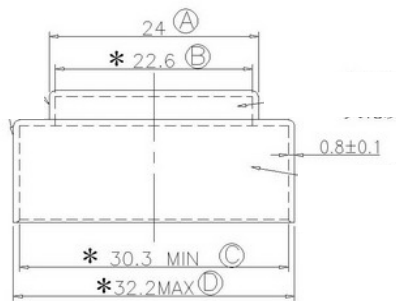
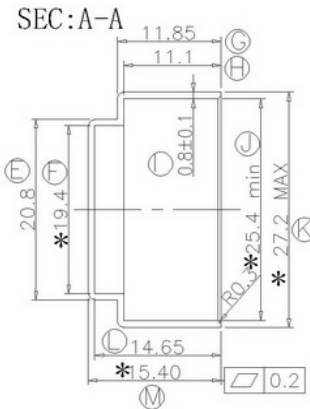
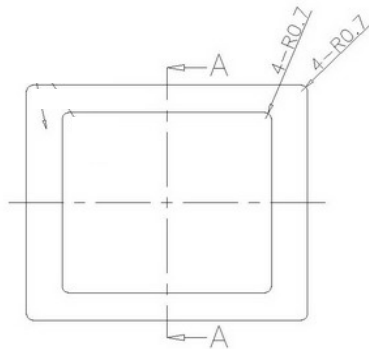




Core Fit Reference

0800		EI-30	EI-37
		Metric	American



CAN BE USED WITH BOBBIN
B-EIM30X5H-10-2-GFN8

	Scale	Tolerance (mm)			Terminal Plating	Terminal Material	No of Terminals	
	None	0-4mm +/-0.1	4-16mm +/-0.2	16-60mm +/-0.3	100% Sn	CP Wire		


LODESTONE PACIFIC
CHINA FACTORY
www.lodestonepacific.com

Molding Material	UL File No.	Rating	Class
Vydyne 909	E70062	UL94-V0	F
Bobbin Part Number			Rev No
BC-EIM30X5H-10-2-GFN8			1