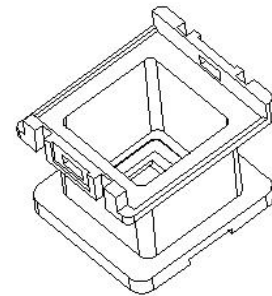
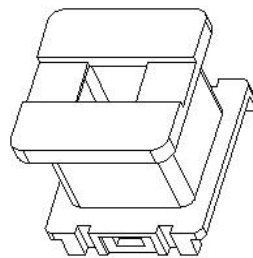
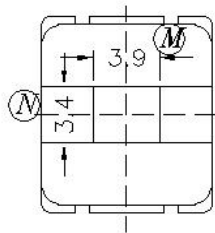
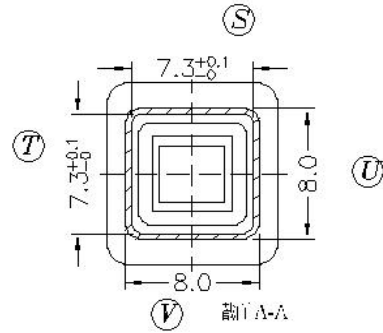
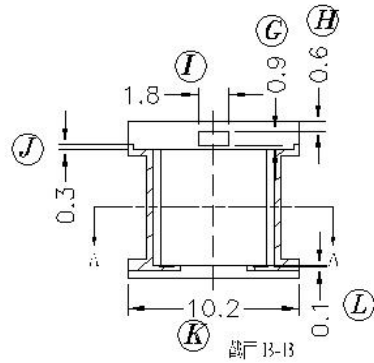
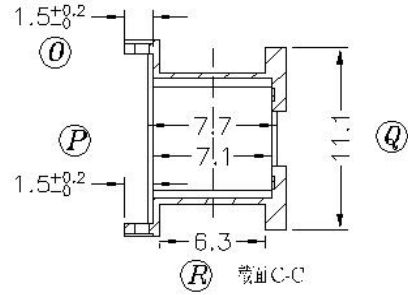
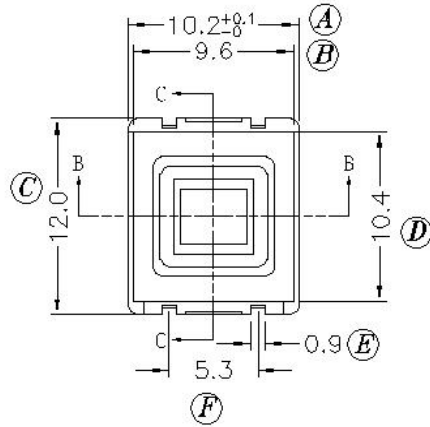
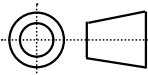



**0694**



CAN BE USED WITH BOBBIN  
 B-EI14X3.5V-6-1-PH2

	Scale	Tolerance (mm)			Terminal Plating	Terminal Material	No of Terminals	
	None	0-4mm +/-0.1	4-16mm +/-0.2	16-60mm +/-0.3	100% Sn	CP Wire		
 <a href="http://www.lodestonepacific.com">www.lodestonepacific.com</a>					Molding Material	UL File No.	Rating	Class
					PM-9820	E41429	UL94-V0	N
<b>Bobbin Part Number</b>								Rev No
<b>BC-EI14X3.5V-6-1-PH2</b>								<b>1</b>