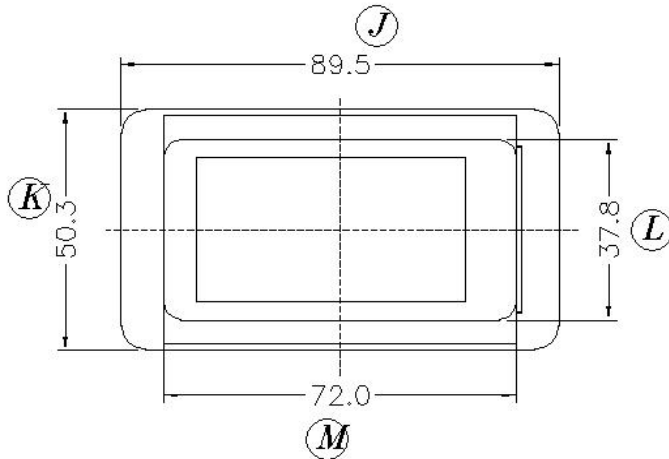
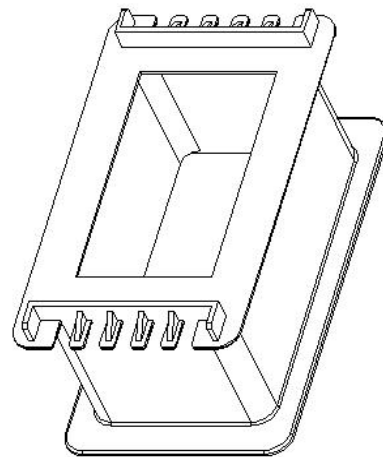
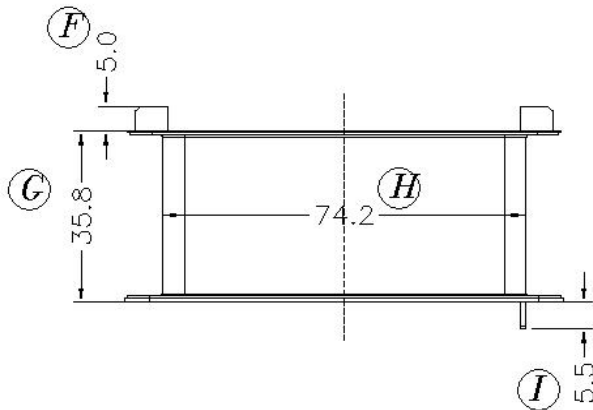
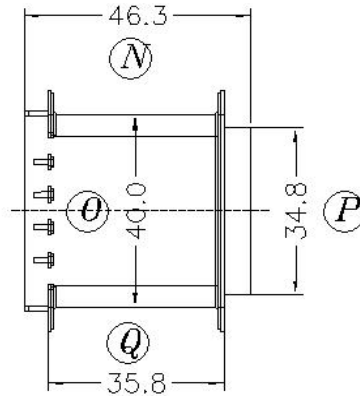
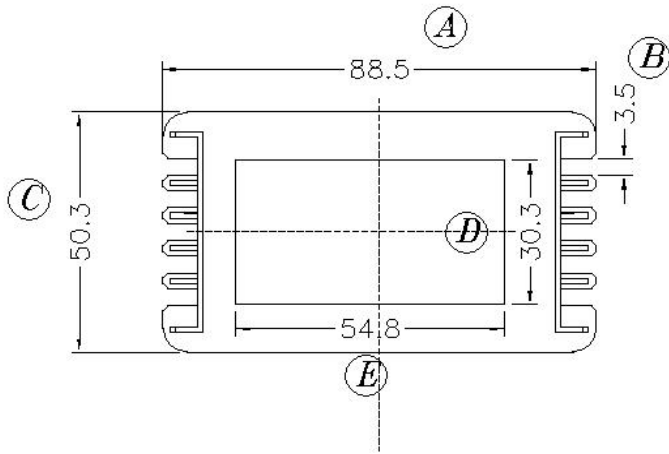
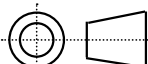


Core Fit Reference

0991		EI-76	EI-100
		Metric	American



TO BE USED WITH
 BB-EIM76X51-1-GFN2

	Scale	Tolerance (mm)			Terminal Plating	Terminal Material	No of Terminals	
	None	0-4mm +/-0.1	4-16mm +/-0.2	16-60mm +/-0.3	100% Sn	CP Wire		

LODESTONE PACIFIC
CHINA FACTORY
www.lodestonepacific.com



Molding Material	UL File No.	Rating	Class
70G33L	E41938	UL94-HP	F
Bobbin Part Number			Rev No
BA-EIM76X51-1-GFN2			1