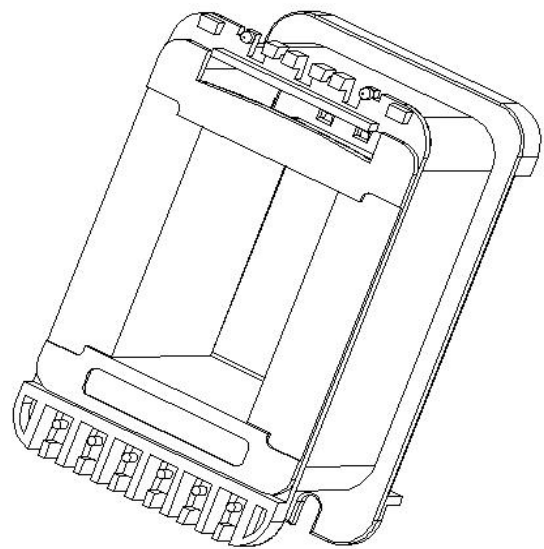
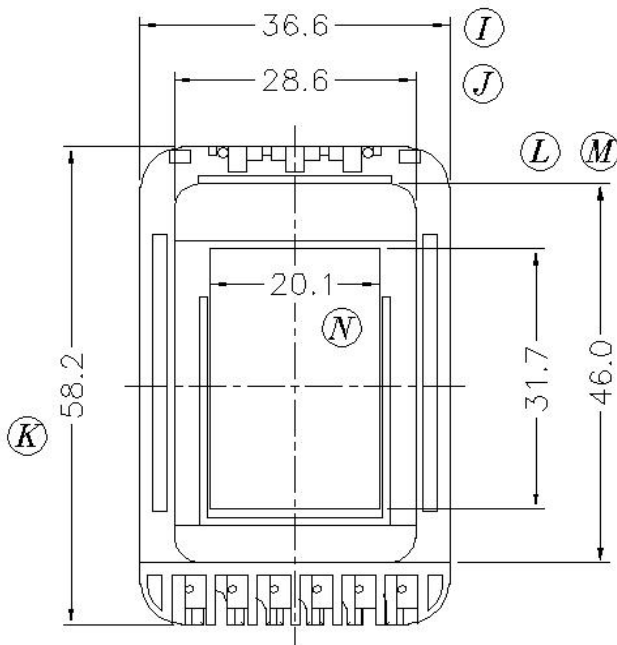
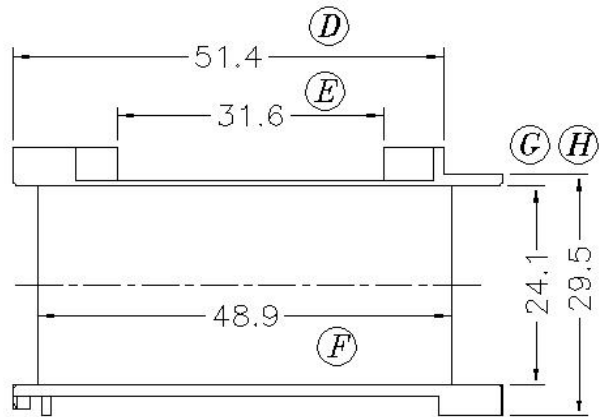
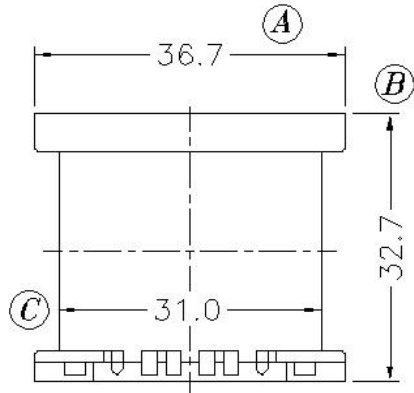




Core Fit Reference

0200		EI-57 Metric	EI-75 American
------	--	-----------------	-------------------



TO BE USED WITH  
BB-EIM57X30H-1-GFN2

	Scale	Tolerance (mm)			Terminal Plating	Terminal Material	No of Terminals	
	None	0-4mm +/-0.1	4-16mm +/-0.2	16-60mm +/-0.3	100% Sn	CP Wire		



LODESTONE PACIFIC

CHINA FACTORY

www.lodestonepacific.com

Molding Material	UL File No.	Rating	Class
70G33L	E41938	UL94-HP	F
Bobbin Part Number			Rev No
BA-EIM57X30H-1-GFN2			1