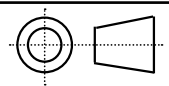
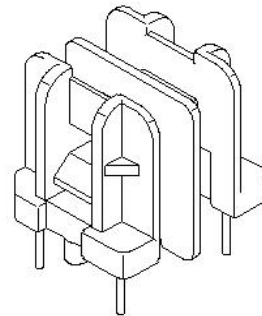
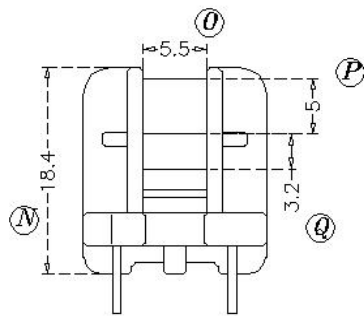
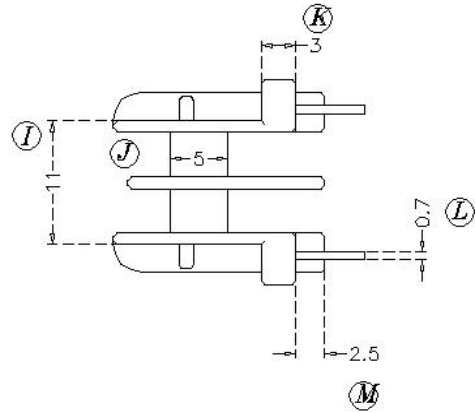
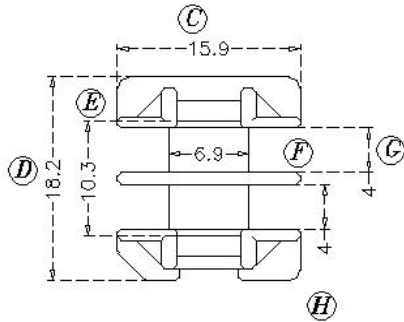
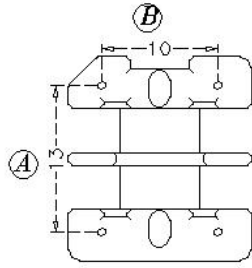


1420



Scale	Tolerance (mm)		
None	0-4mm +/-0.1	4-16mm +/-0.2	16-60mm +/-0.3

Terminal Plating	Terminal Material	No of Terminals	
100% Sn	CP Wire	4	


LODESTONE PACIFIC
CHINA FACTORY
www.lodestonepacific.com

Molding Material	UL File No.	Rating	Class
T375J	E59481	UL94-V0	F
Bobbin Part Number			Rev No
B-UUM10.5H-4-2-PH3			1