

**Core Fit Reference**

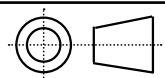
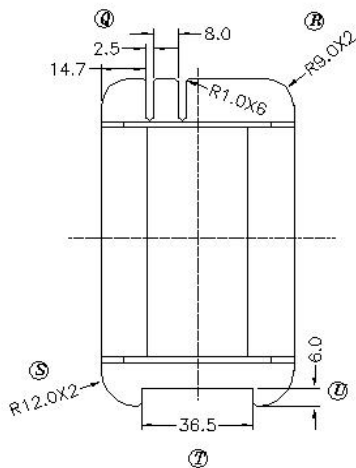
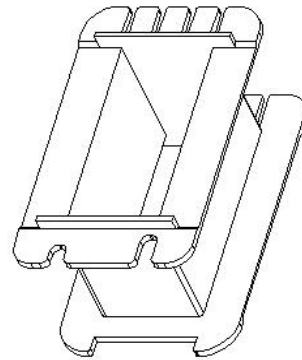
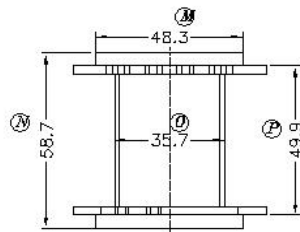
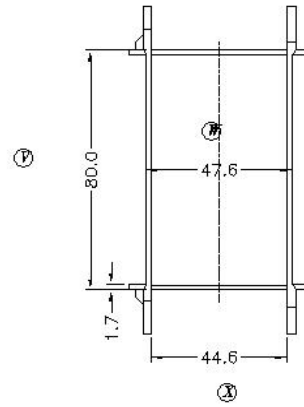
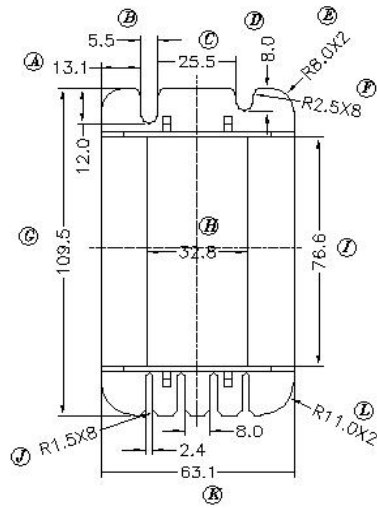
**0695**

**EI-96**

**EI-125**

**Metric**

**American**



| Scale | Tolerance (mm) |               |                | Terminal Plating | Terminal Material | No of Terminals |  |
|-------|----------------|---------------|----------------|------------------|-------------------|-----------------|--|
| None  | 0-4mm +/-0.1   | 4-16mm +/-0.2 | 16-60mm +/-0.3 | 100% Sn          | CP Wire           |                 |  |



**LODESTONE PACIFIC**

**CHINA FACTORY**

[www.lodestonepacific.com](http://www.lodestonepacific.com)

| Molding Material        | UL File No. | Rating  | Class    |
|-------------------------|-------------|---------|----------|
| FR530                   | E41938      | UL94-V0 | N        |
| Bobbin Part Number      |             |         | Rev No   |
| <b>B-EIM96X76-1-PET</b> |             |         | <b>1</b> |