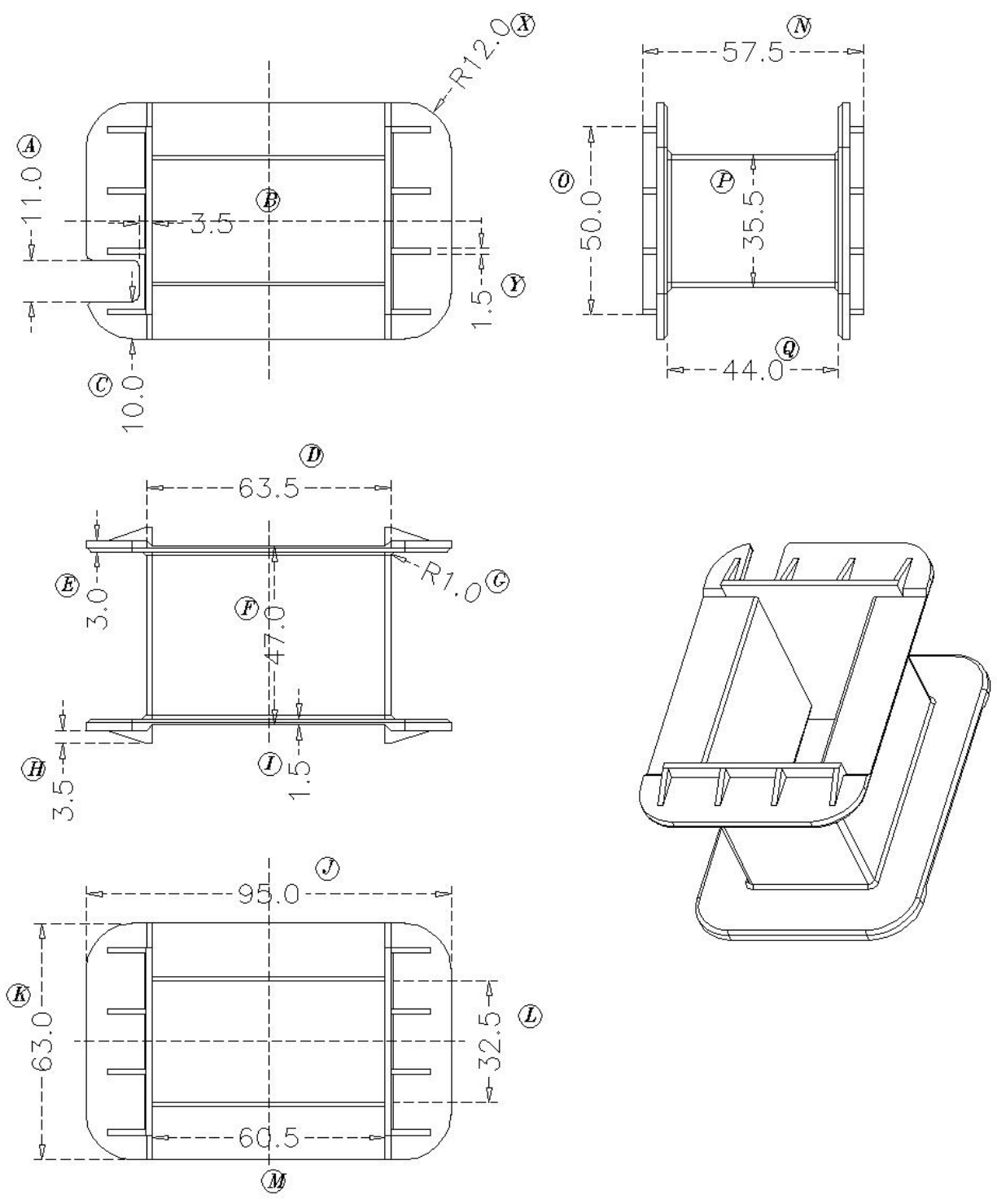


Core Fit Reference

1038		EI-96 Metric	EI-125 American
------	--	-----------------	--------------------



	Scale	Tolerance (mm)			Terminal Plating	Terminal Material	No of Terminals	
	None	0-4mm +/-0.1	4-16mm +/-0.2	16-60mm +/-0.3	100% Sn	CP Wire		

	Molding Material	UL File No.	Rating	Class
	FR530	E41938	UL94-V0	N
	Bobbin Part Number			
B-EIM96X60-1-PET				1