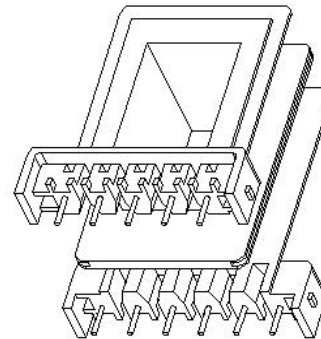
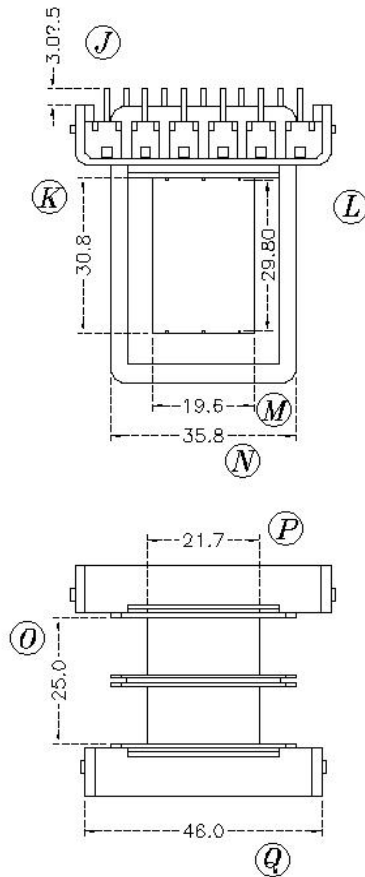
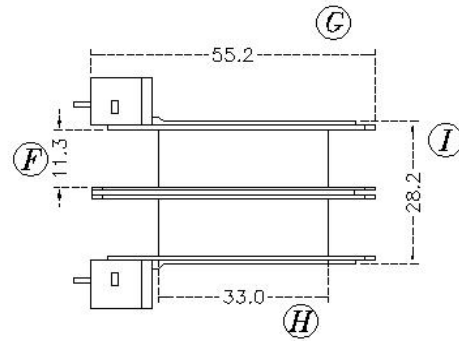
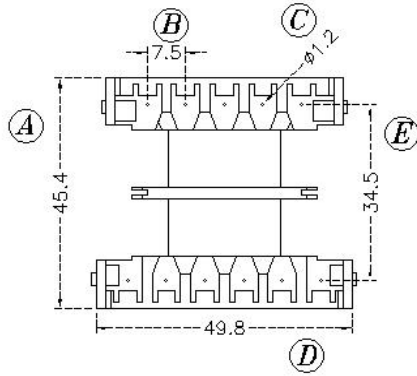
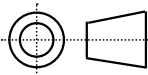



Core Fit Reference

0465		EI-57	EI-75
		Metric	American



CAN BE USED WITH SHROUD
 BS-EIM57X30H-11-2-PET

	Scale	Tolerance (mm)			Terminal Plating	Terminal Material	No of Terminals	
	None	0-4mm +/-0.1	4-16mm +/-0.2	16-60mm +/-0.3	100% Sn	CP Wire	11	
 www.lodestonepacific.com					Molding Material	UL File No.	Rating	Class
					FR530	E41938	UL94-V0	N
					Bobbin Part Number			
B-EIM57X30H-11-2-PET-S							1	