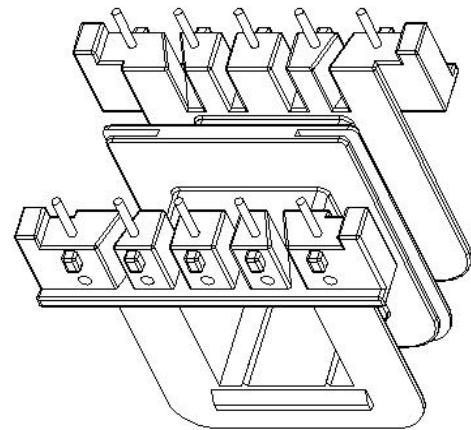
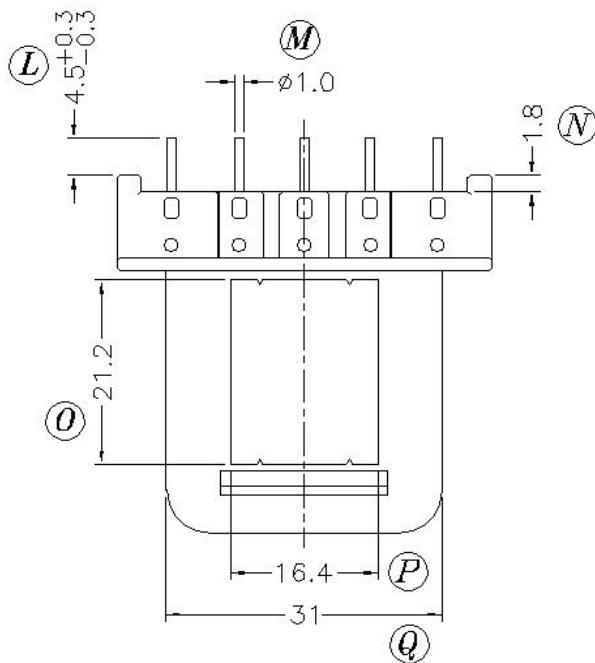
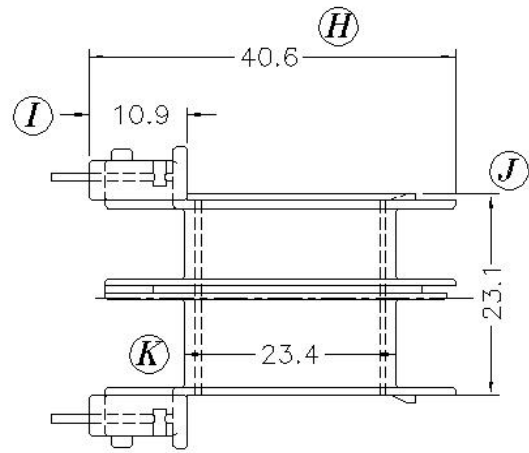
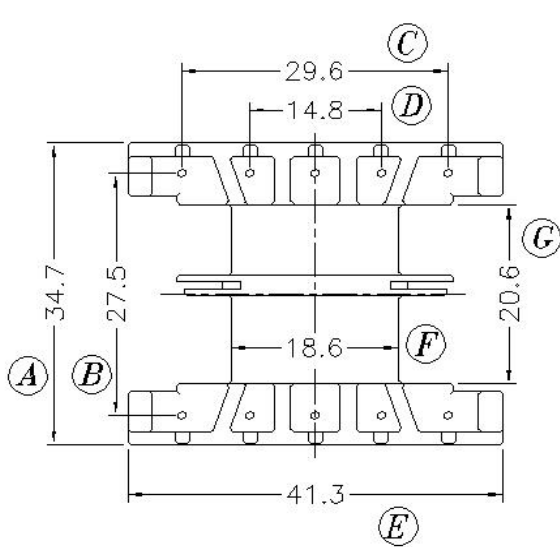
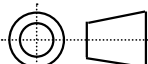


Core Fit Reference

0175		EI-48	EI-62
		Metric	American



	Scale	Tolerance (mm)			Terminal Plating	Terminal Material	No of Terminals	
	None	0-4mm +/-0.1	4-16mm +/-0.2	16-60mm +/-0.3	100% Sn	CP Wire	10	

LODESTONE PACIFIC
 **CHINA FACTORY**
www.lodestonepacific.com

Molding Material	UL File No.	Rating	Class
PBT	E59481	UL94-V0	B
Bobbin Part Number			Rev No
B-EIM48X20-1H-10-2-PBT			1