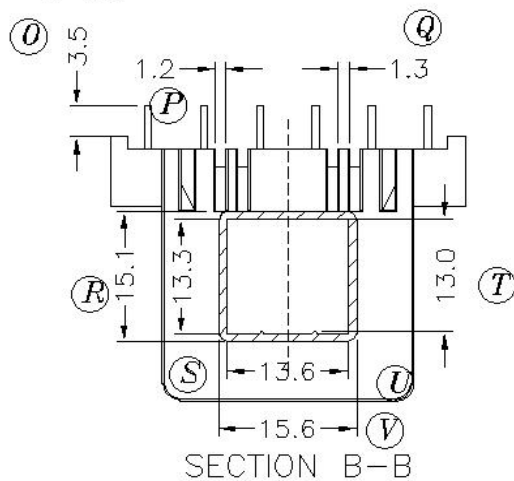
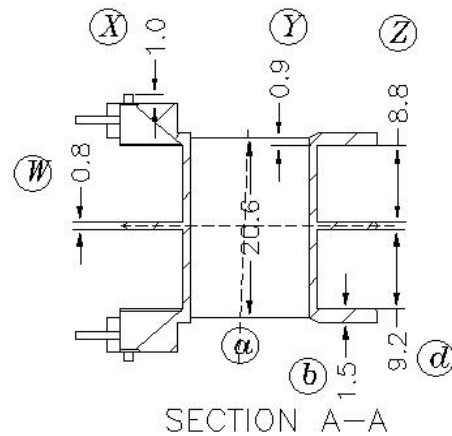
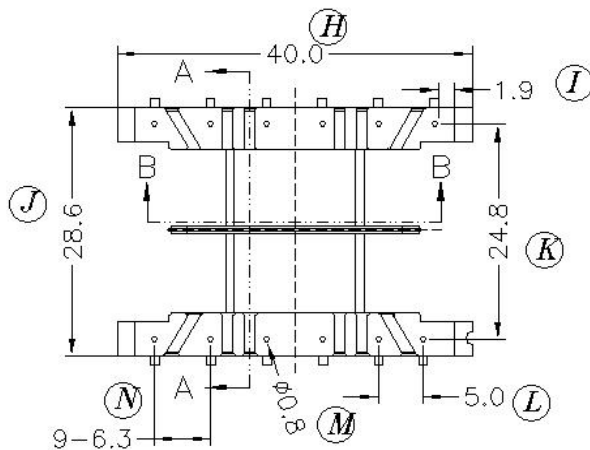
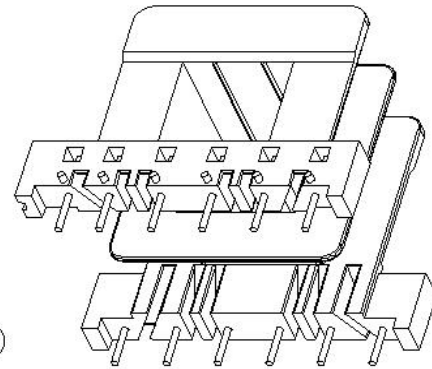
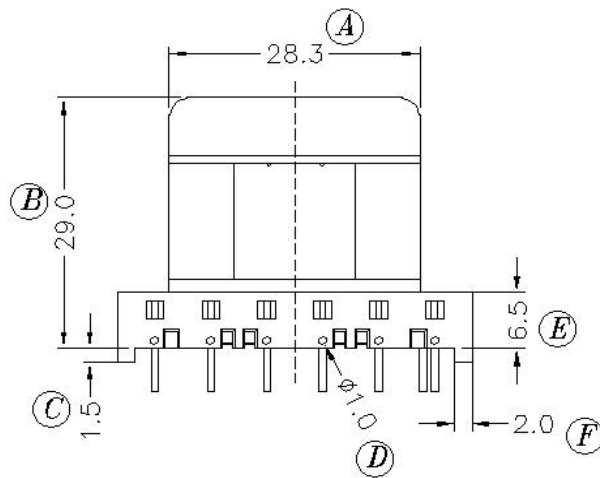


**Core Fit Reference**

<b>0931</b>		<b>EI-41</b>	<b>EI-50</b>
		<b>Metric</b>	<b>American</b>



	<b>Scale</b>	<b>Tolerance (mm)</b>			<b>Terminal Plating</b>	<b>Terminal Material</b>	<b>No of Terminals</b>	
	None	0-4mm +/-0.1	4-16mm +/-0.2	16-60mm +/-0.3	100% Sn	CP Wire	12	

**LODESTONE PACIFIC**  
**CHINA FACTORY**  
[www.lodestonepacific.com](http://www.lodestonepacific.com)

<b>Molding Material</b>	<b>UL File No.</b>	<b>Rating</b>	<b>Class</b>
FR530	E41938	UL94-V0	N
<b>Bobbin Part Number</b>			<b>Rev No</b>
<b>B-EIM41X13H-12-2-PET</b>			<b>1</b>