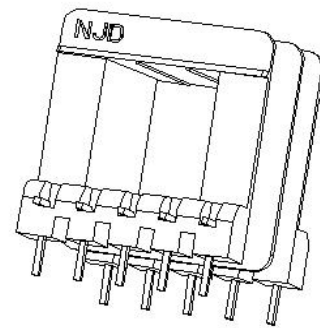
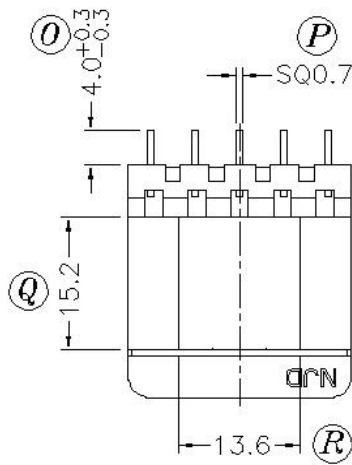
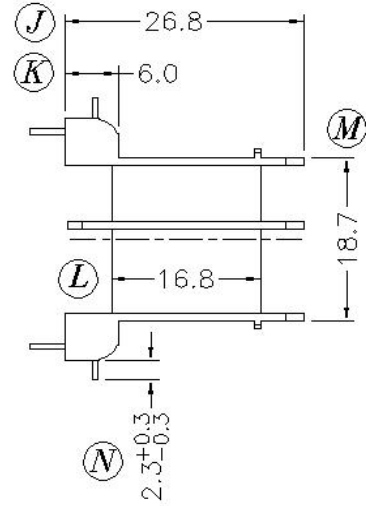
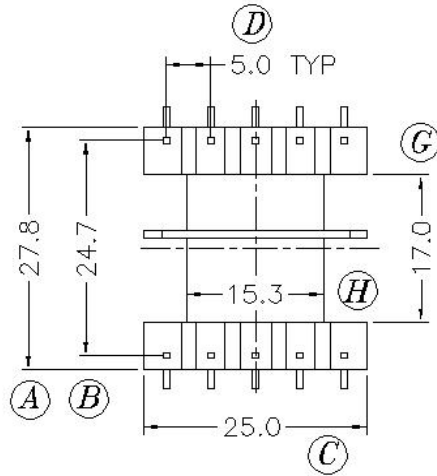
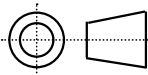


<b>0092</b>		<b>EI-38</b>	<b>EI-50</b>
		<b>Metric</b>	<b>American</b>



	Scale	Tolerance (mm)			Terminal Plating	Terminal Material	No of Terminals	
	None	0-4mm +/-0.1	4-16mm +/-0.2	16-60mm +/-0.3	100% Sn	CP Wire	10	

 **LODESTONE PACIFIC**  
**CHINA FACTORY**  
[www.lodestonepacific.com](http://www.lodestonepacific.com)

Molding Material	UL File No.	Rating	Class
PBT	E59481	UL94-V0	B
<b>Bobbin Part Number</b>			Rev No
<b>B-EIM38X15H-10-2-PBT</b>			<b>1</b>