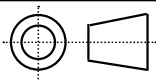
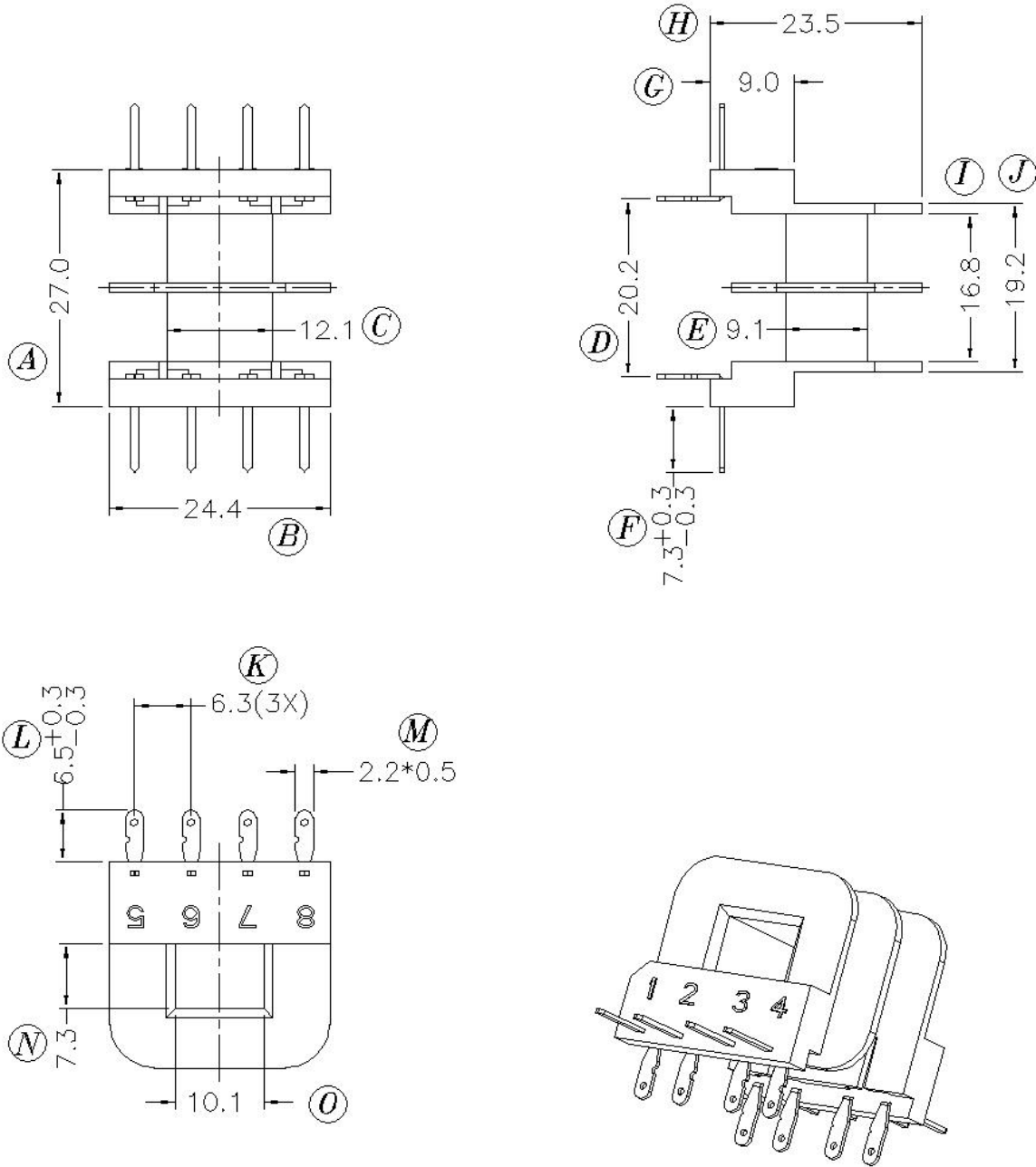




**Core Fit Reference**

0040	EI-35 Metric	EI-37 American
------	-----------------	-------------------



Scale	Tolerance (mm)			Terminal Plating	Terminal Material	No of Terminals	
None	0-4mm +/-0.1	4-16mm +/-0.2	16-60mm +/-0.3	100% Sn	CP Wire	8	



Molding Material	UL File No.	Rating	Class
70G33L	E41938	UL94-HP	F
<b>Bobbin Part Number</b>			Rev No
<b>B-EIM35X7H-8-2-GFN2-ST</b>			<b>1</b>