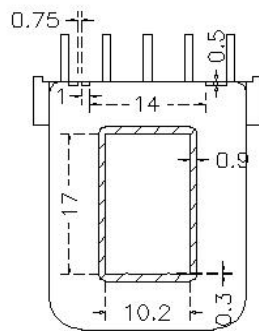
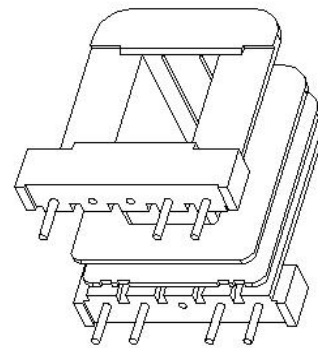
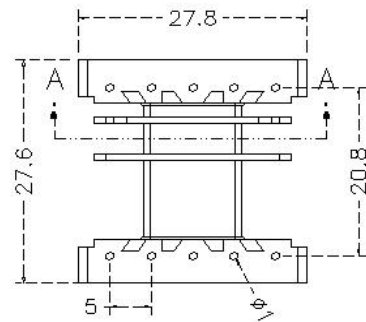
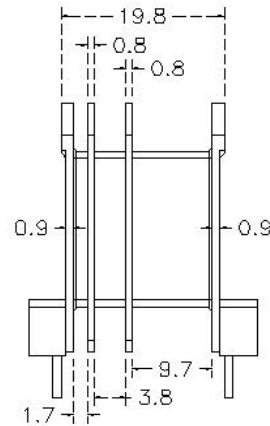
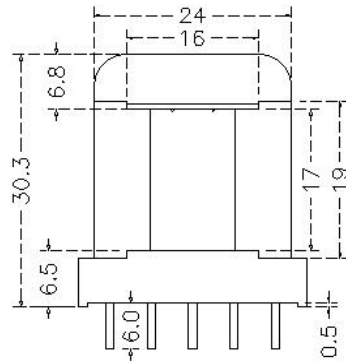


Core Fit Reference

1255		EI-35	EI-37
		Metric	American



SECTION A-A

CAN BE USED WITH CASE
 BC-EIM35X17H-10-3-PBT

	Scale	Tolerance (mm)			Terminal Plating	Terminal Material	No of Terminals	
	None	0-4mm +/-0.1	4-16mm +/-0.2	16-60mm +/-0.3	100% Sn	CP Wire	10	
 www.lodestonepacific.com					Molding Material	UL File No.	Rating	Class
					PBT	E59481	UL94-V0	B
					Bobbin Part Number			
B-EIM35X17H-10-3-PBT							1	