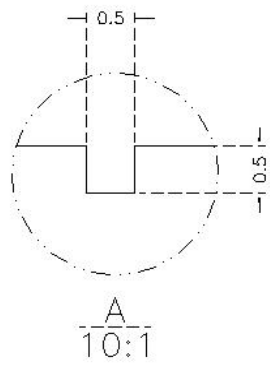
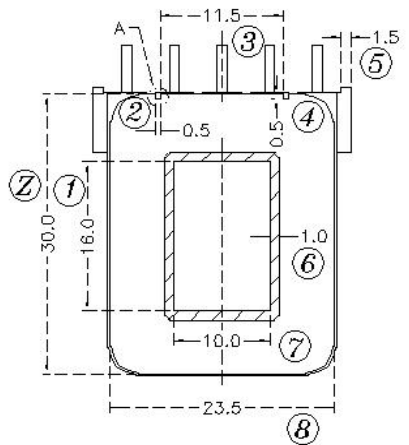
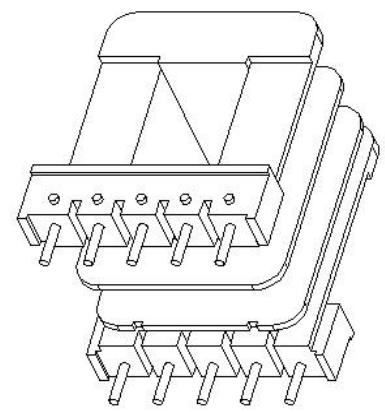
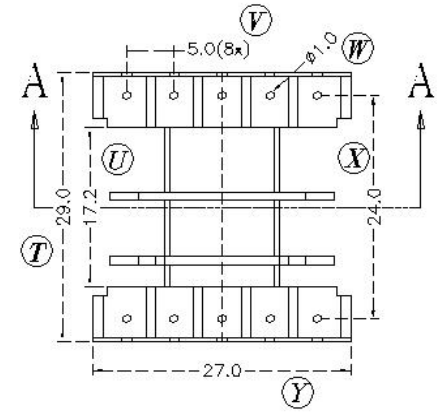
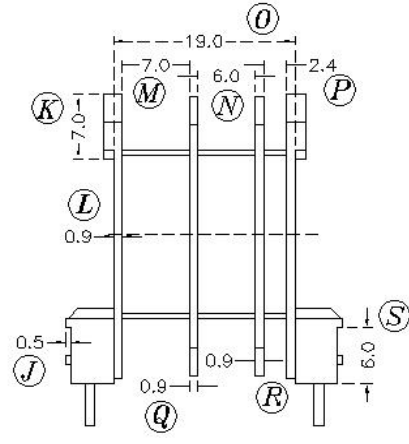
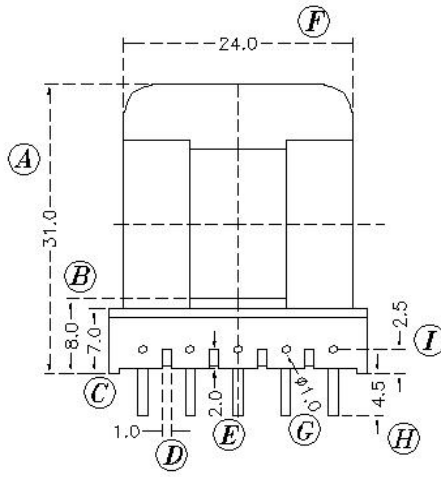


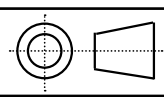
**0508**

**EI-35**  
**Metric**

**EI-37**  
**American**



A-A

	<b>Scale</b>	<b>Tolerance (mm)</b>			<b>Terminal Plating</b>	<b>Terminal Material</b>	<b>No of Terminals</b>	
	None	0-4mm +/-0.1	4-16mm +/-0.2	16-60mm +/-0.3	100% Sn	CP Wire	10	

**LODESTONE PACIFIC**  
  
**CHINA FACTORY**  
[www.lodestonepacific.com](http://www.lodestonepacific.com)

<b>Molding Material</b>	<b>UL File No.</b>	<b>Rating</b>	<b>Class</b>
PBT	E59481	UL94-V0	B
<b>Bobbin Part Number</b>			<b>Rev No</b>
<b>B-EIM35X16H-10-3-PBT</b>			<b>1</b>