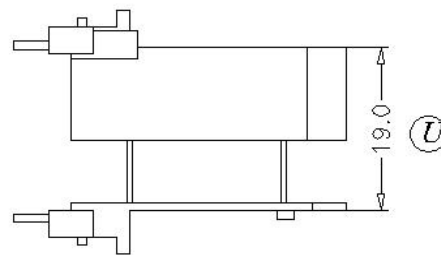
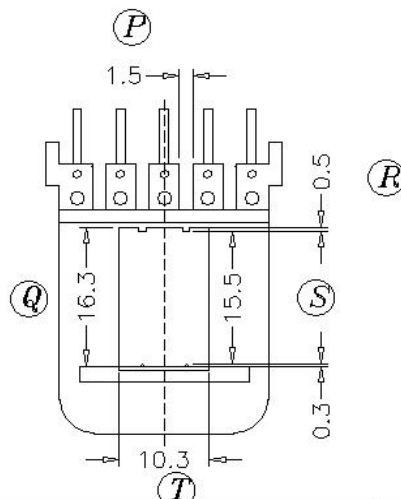
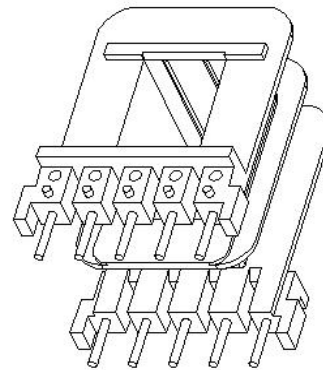
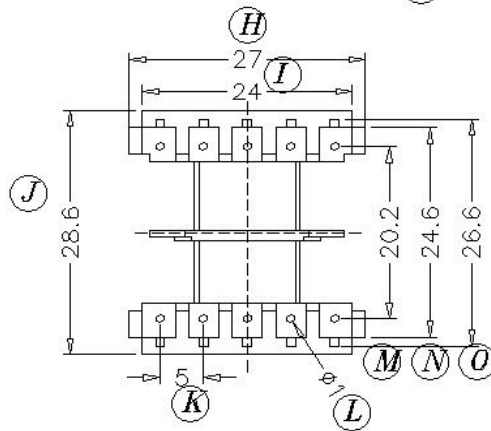
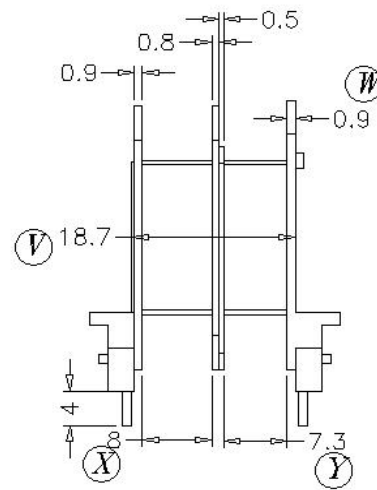
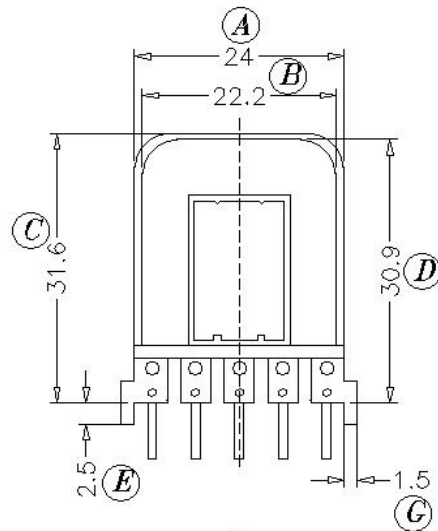
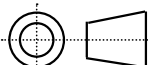


**Core Fit Reference**

<b>1059</b>	<b>EI-35</b>	<b>EI-37</b>
	<b>Metric</b>	<b>American</b>



CAN BE USED WITH SHROUD  
 BS-EIM35X15.5-9H-10-2-PBT

	Scale	Tolerance (mm)			Terminal Plating	Terminal Material	No of Terminals	
	None	0-4mm +/-0.1	4-16mm +/-0.2	16-60mm +/-0.3	100% Sn	CP Wire	10	



**LODESTONE PACIFIC**

**CHINA FACTORY**

[www.lodestonepacific.com](http://www.lodestonepacific.com)

Molding Material	UL File No.	Rating	Class
PBT	E59481	UL94-V0	B
Bobbin Part Number			Rev No
B-EIM35X15.5-9H-10-2-PBT-S			1