

Core Fit Reference

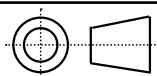
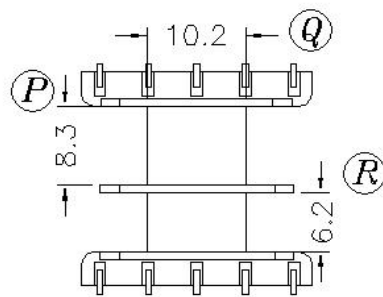
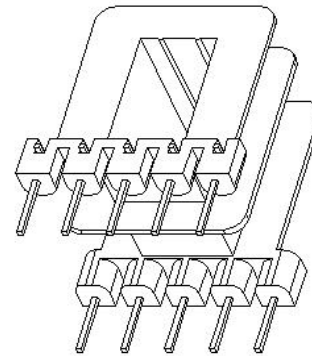
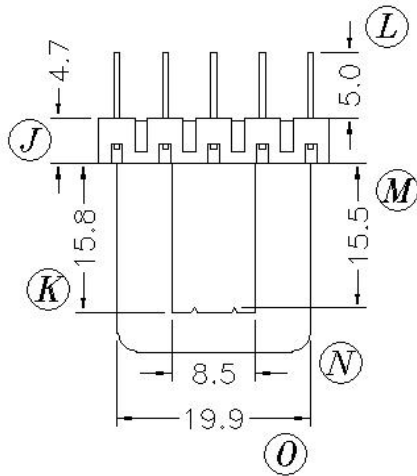
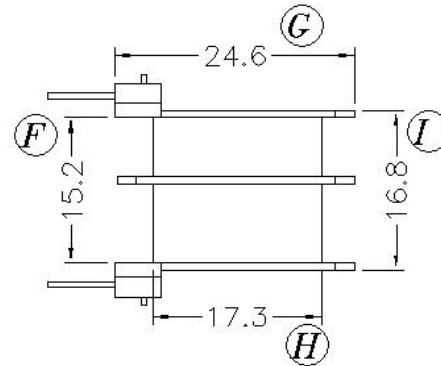
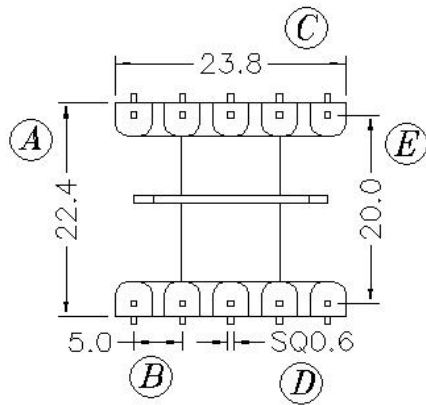
0445

EI-28

EI-25

Metric

American



| Scale | Tolerance (mm) | | |
|-------|----------------|---------------|----------------|
| None | 0-4mm +/-0.1 | 4-16mm +/-0.2 | 16-60mm +/-0.3 |

| Terminal Plating | Terminal Material | No of Terminals | |
|------------------|-------------------|-----------------|--|
| 100% Sn | CP Wire | 10 | |

| Molding Material | UL File No. | Rating | Class |
|------------------|-------------|---------|-------|
| FR50 | E41938 | UL94-V0 | F |



| Bobbin Part Number | Rev No |
|----------------------|--------|
| B-EIM28X15H-10-2-GFN | 1 |