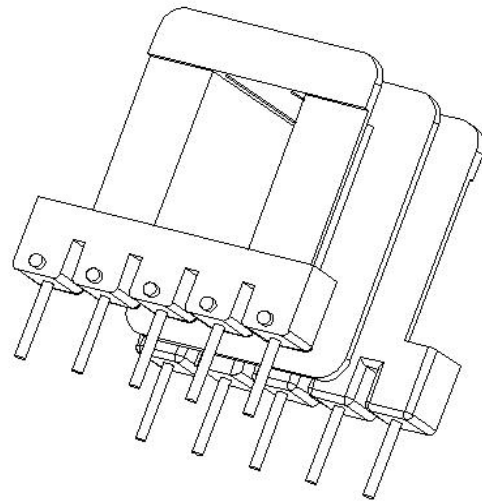
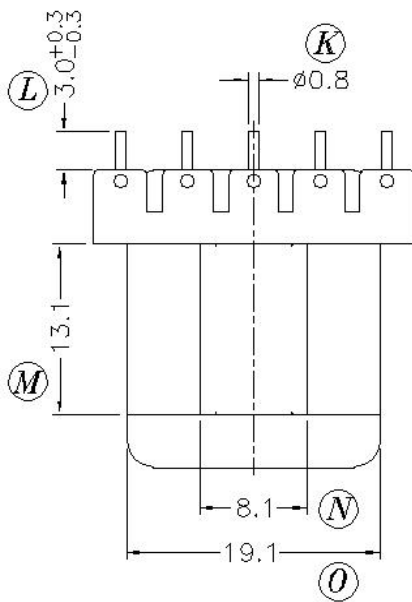
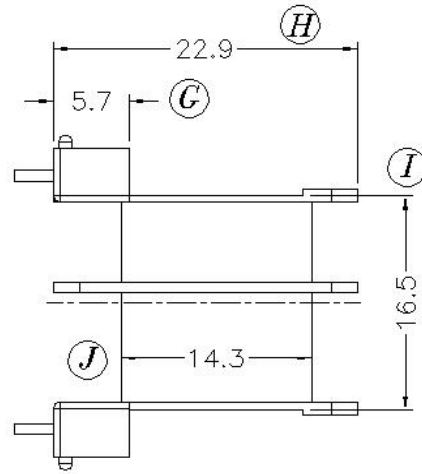
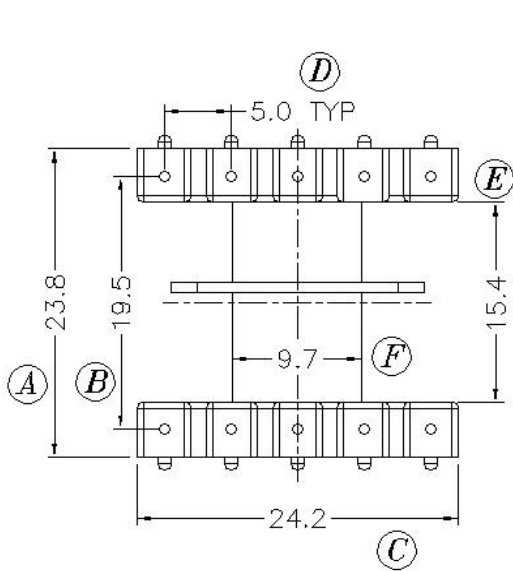
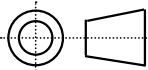


Core Fit Reference

0022		EI-28	EI-25
		Metric	American



CAN BE USED WITH SHROUD
 BS-EIM28X12H-9-2-PBT

	Scale	Tolerance (mm)			Terminal Plating	Terminal Material	No of Terminals	
	None	0-4mm +/-0.1	4-16mm +/-0.2	16-60mm +/-0.3	100% Sn	CP Wire	10	



Molding Material	UL File No.	Rating	Class
PBT	E59481	UL94-V0	B
Bobbin Part Number			Rev No
B-EIM28X12-4H-10-2-PBT			1