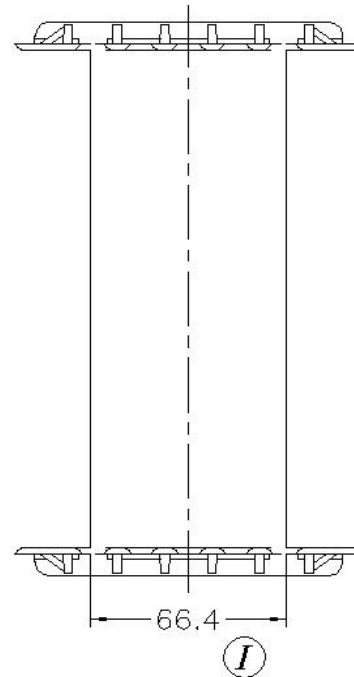
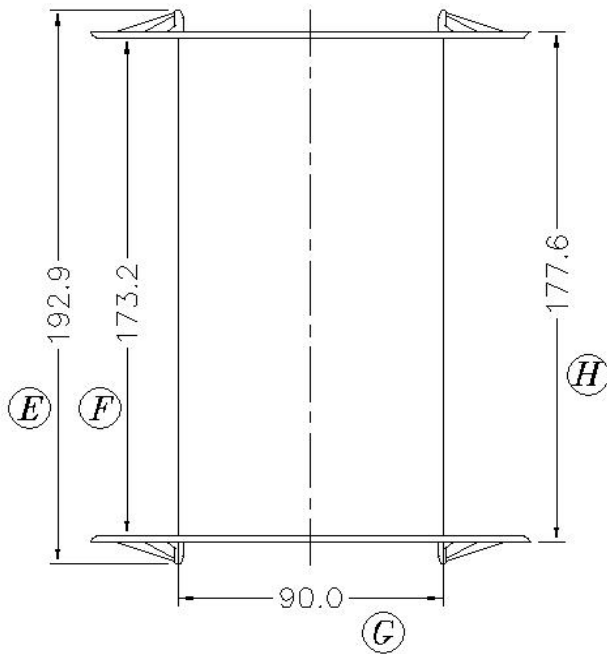
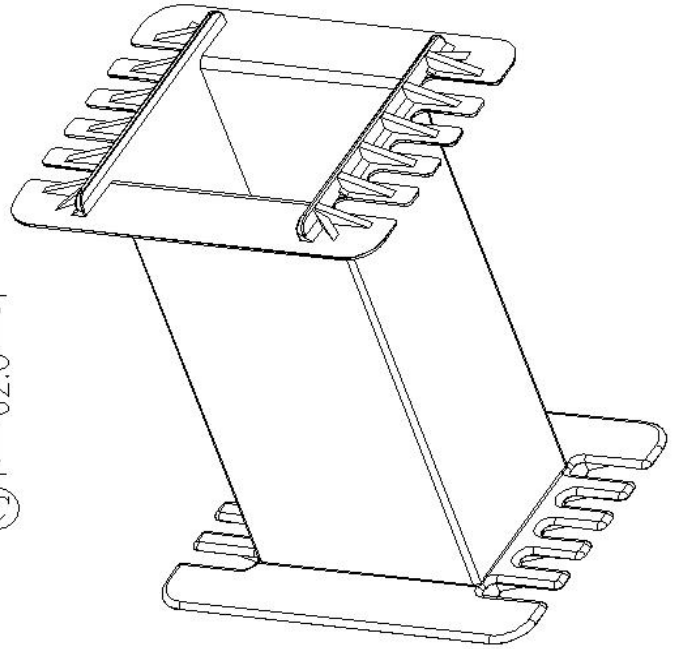
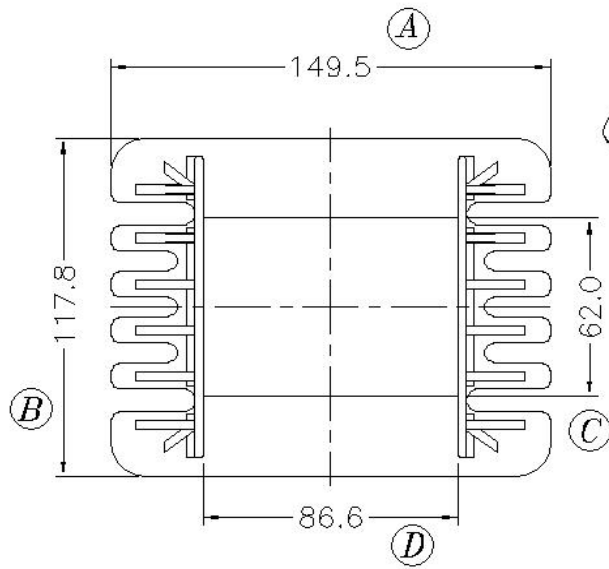


0242



Scale	Tolerance (mm)			Terminal Plating	Terminal Material	No of Terminals	
	None	0-4mm +/-0.1	4-16mm +/-0.2				
				100% Sn	CP Wire		

**LODESTONE PACIFIC**  
**CHINA FACTORY**  
[www.lodestonepacific.com](http://www.lodestonepacific.com)



Molding Material	UL File No.	Rating	Class
FR530	E41938	UL94-V0	N
Bobbin Part Number			Rev No
B-EIM162X86-1-PET			1