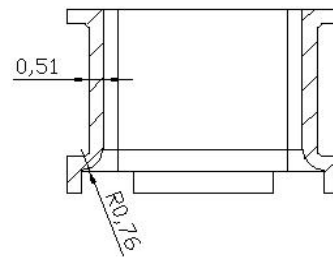
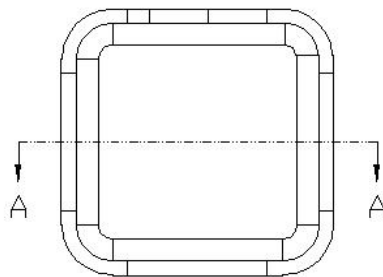
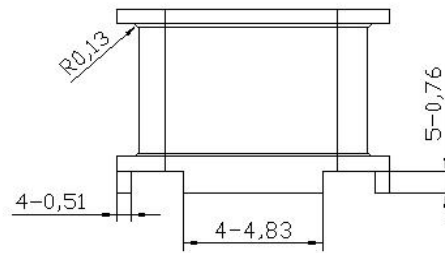
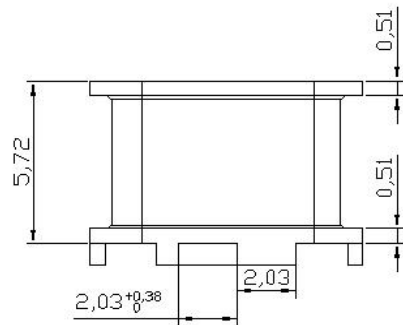
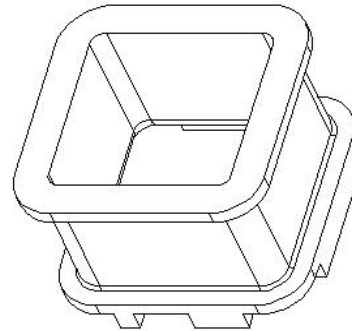
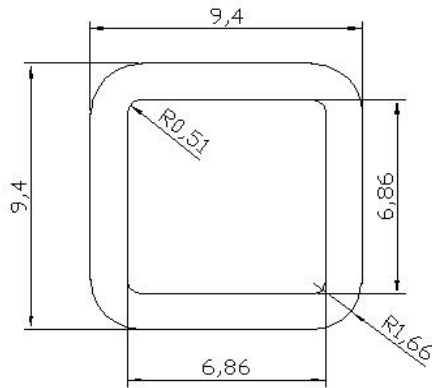




Core Fit Reference

1092		EI-133	EI-175
		Metric	American



SECTION A-A

	Scale	Tolerance (mm)			Terminal Plating	Terminal Material	No of Terminals	
	None	0-4mm +/-0.1	4-16mm +/-0.2	16-60mm +/-0.3	100% Sn	CP Wire		

**LODESTONE PACIFIC**
  
**CHINA FACTORY**
  
[www.lodestonepacific.com](http://www.lodestonepacific.com)

Molding Material	UL File No.	Rating	Class
FR50	E41938	UL94-V0	F
Bobbin Part Number			Rev No
B-EIM133X85-1-GFN			1