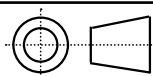
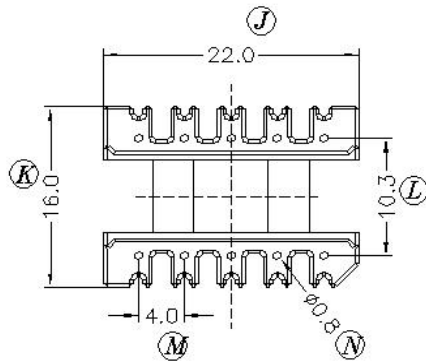
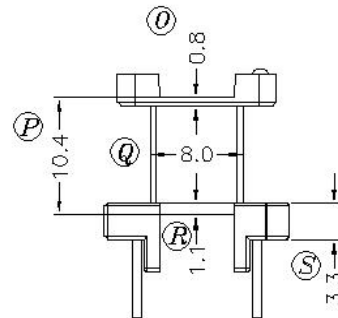
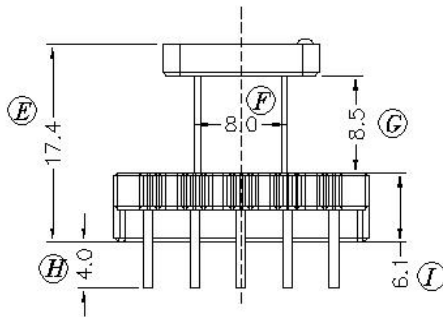
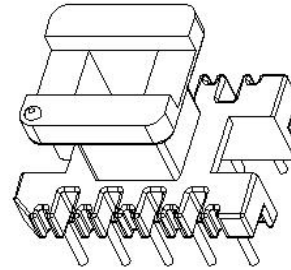
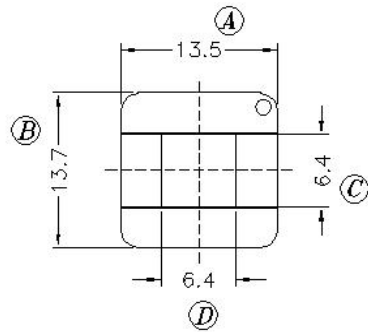


1013



Scale	Tolerance (mm)		
None	0-4mm +/-0.1	4-16mm +/-0.2	16-60mm +/-0.3

Terminal Plating	Terminal Material	No of Terminals	
100% Sn	CP Wire	10	

Molding Material	UL File No.	Rating	Class
T375J	E59481	UL94-V0	F

Bobbin Part Number	Rev No
B-EI22V-10-1-PH3	1

