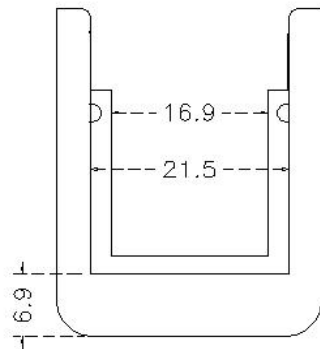
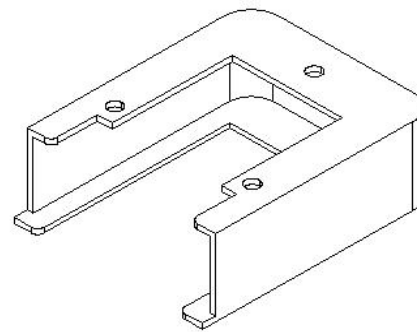
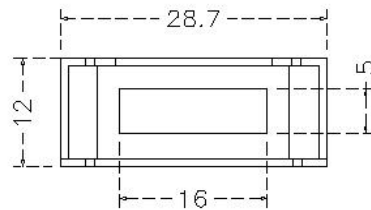
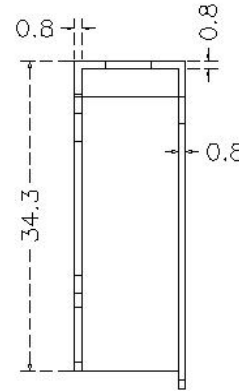
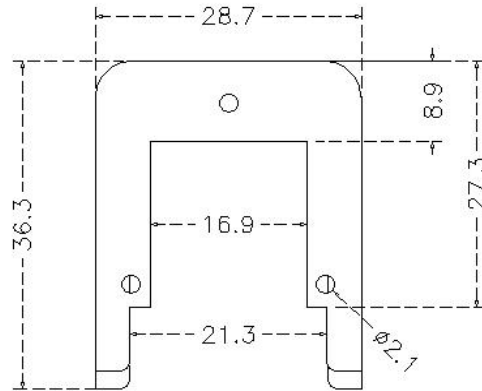




Core Fit Reference

1260	EI-41 Metric	EI-50 American
------	-----------------	-------------------



CAN BE USED WITH BOBBIN
B-EIM41X16H-5-2-PET-S

	Scale	Tolerance (mm)			Terminal Plating	Terminal Material	No of Terminals	
	None	0-4mm +/-0.1	4-16mm +/-0.2	16-60mm +/-0.3	100% Sn	CP Wire		
					Molding Material	UL File No.	Rating	Class
					FR530	E41938	UL94-V0	N
					Bobbin Part Number			
BS-EIM41X16H-5-2-PET							1	