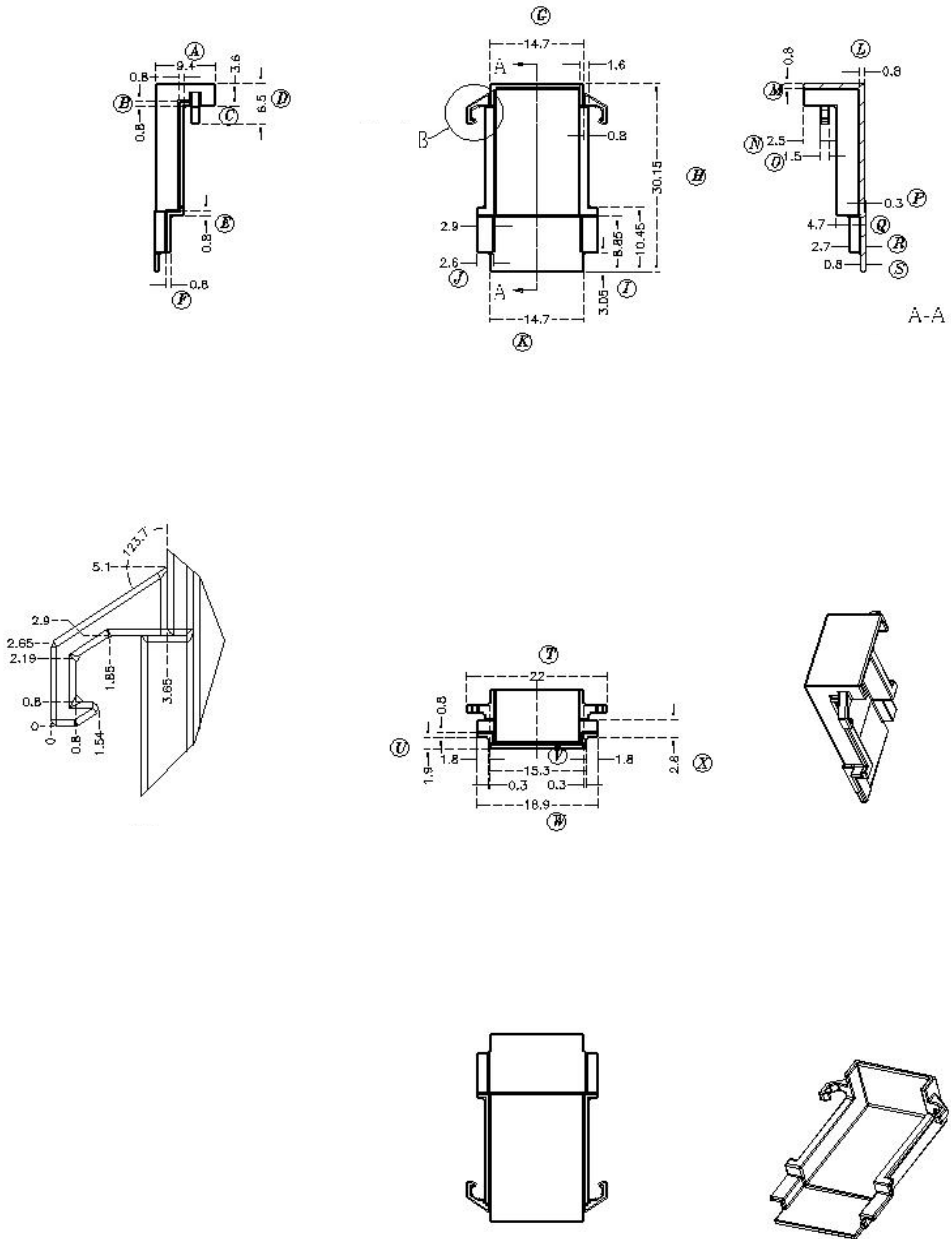


**Core Fit Reference**

**0750**



CAN BE USED WITH BOBBIN  
 B-EE25X13V-10-1-PET

	<b>Scale</b>	<b>Tolerance (mm)</b>			<b>Terminal Plating</b>	<b>Terminal Material</b>	<b>No of Terminals</b>	
	None	0-4mm +/-0.1	4-16mm +/-0.2	16-60mm +/-0.3	100% Sn	CP Wire		
<p><b>LODESTONE PACIFIC</b>  <b>CHINA FACTORY</b>  <a href="http://www.lodestonepacific.com">www.lodestonepacific.com</a></p>	<b>Molding Material</b>	<b>UL File No.</b>	<b>Rating</b>	<b>Class</b>				
	FR530	E41938	UL94-V0	N				
	<b>Bobbin Part Number</b>				<b>Rev No</b>			
<b>BS-EE25X13V-10-1-PET</b>				<b>1</b>				