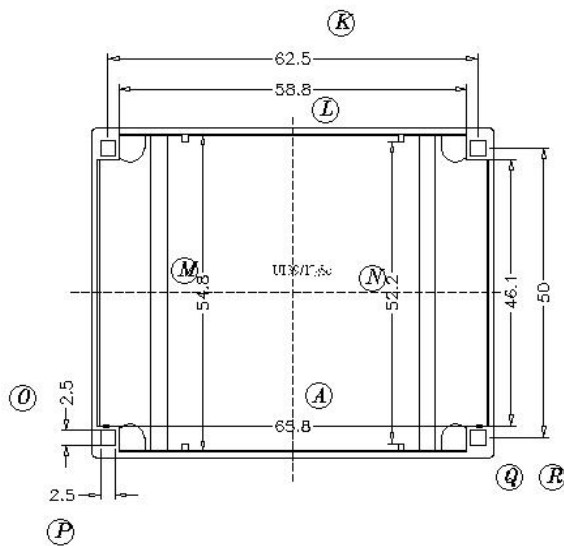
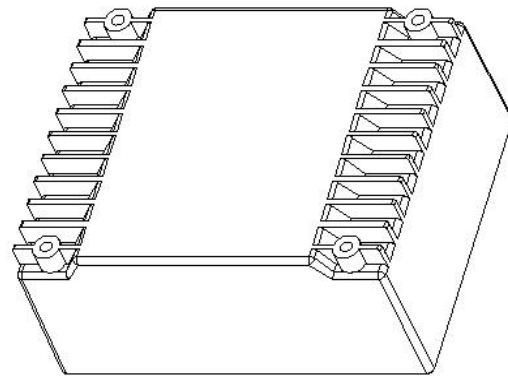
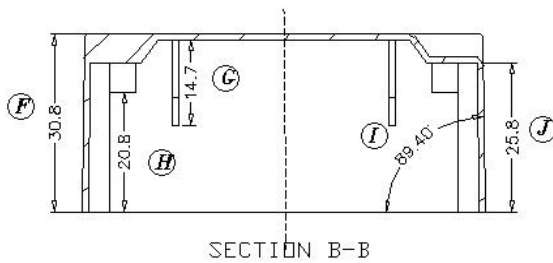
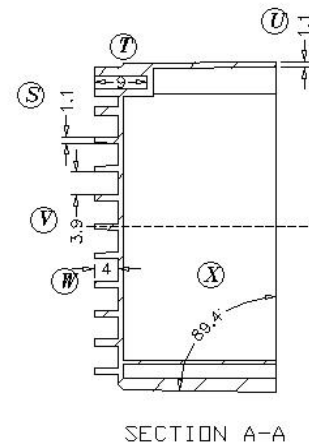
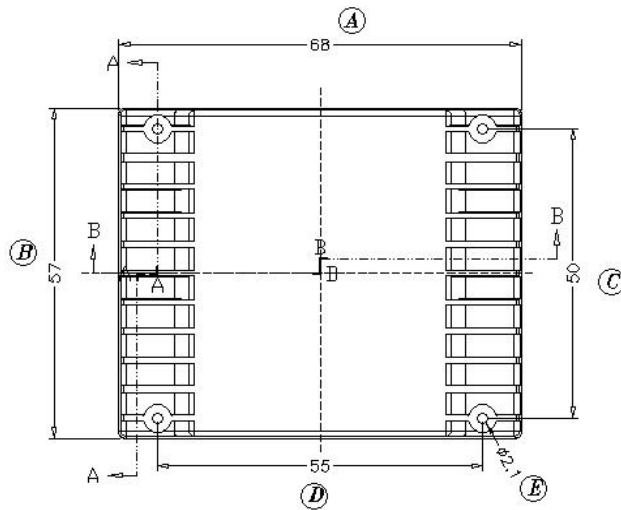
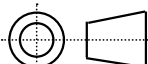


0954



CAN BE USED WITH BOBBIN
 B-UIM39X17H-10-2-GFN8

	Scale	Tolerance (mm)			Terminal Plating	Terminal Material	No of Terminals	
	None	0-4mm +/-0.1	4-16mm +/-0.2	16-60mm +/-0.3	100% Sn	CP Wire		

LODESTONE PACIFIC
 **CHINA FACTORY**
www.lodestonepacific.com

Molding Material	UL File No.	Rating	Class
Vydyne 909	E70062	UL94-V0	F
Bobbin Part Number			Rev No
BC-UIM39X17H-10-2-GFN8			1