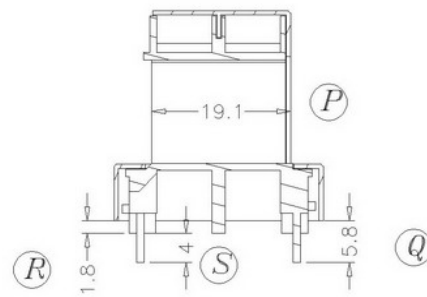
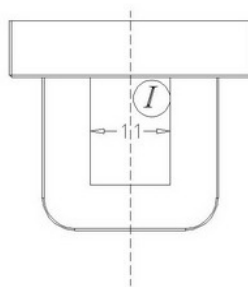
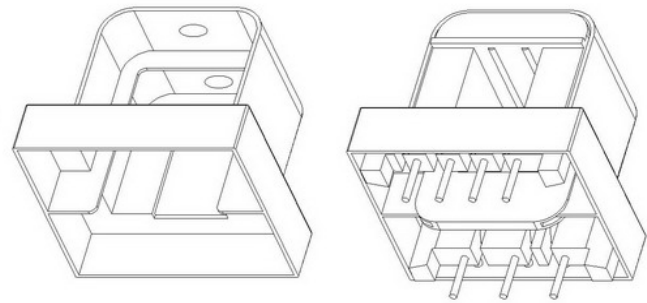
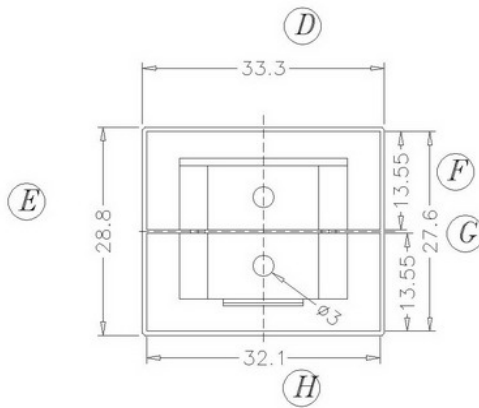
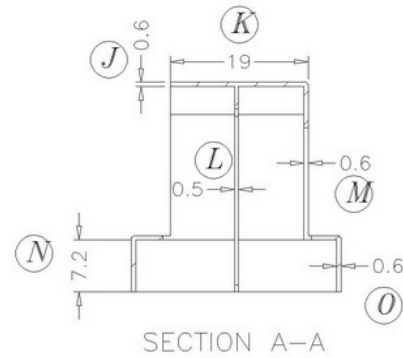
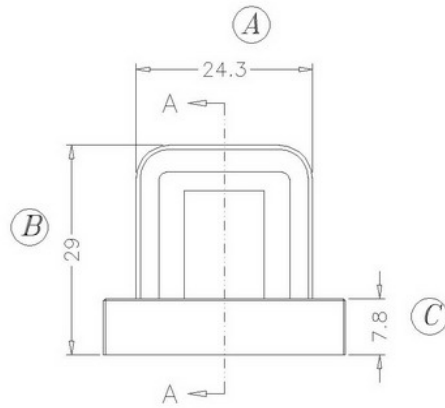
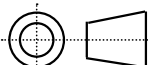


**Core Fit Reference**

<b>0830</b>		<b>EI-35</b>	<b>EI-37</b>
		<b>Metric</b>	<b>American</b>



CAN BE USED WITH BOBBIN  
 B-EIM35X14H-7-2-PBT

	Scale	Tolerance (mm)			Terminal Plating	Terminal Material	No of Terminals	
	None	0-4mm +/-0.1	4-16mm +/-0.2	16-60mm +/-0.3	100% Sn	CP Wire		



Molding Material	UL File No.	Rating	Class
PBT	E59481	UL94-V0	B
<b>Bobbin Part Number</b>			Rev No
<b>BC-EIM35X14H-7-2-PBT</b>			<b>1</b>