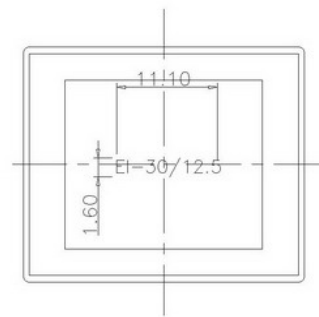
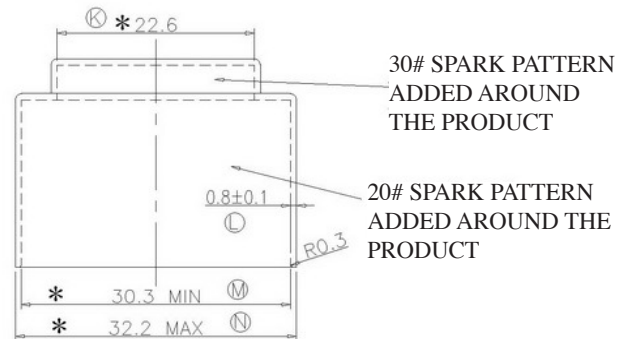
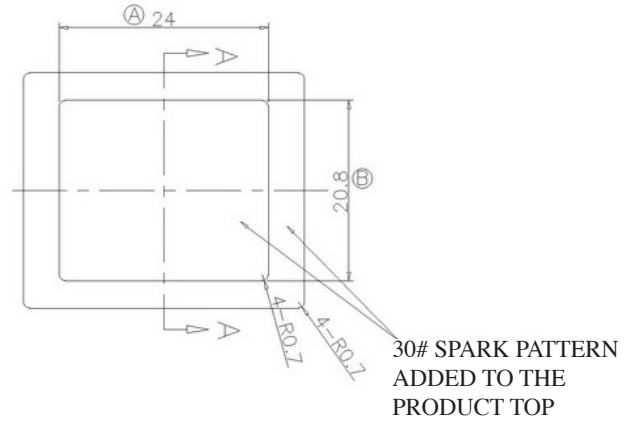
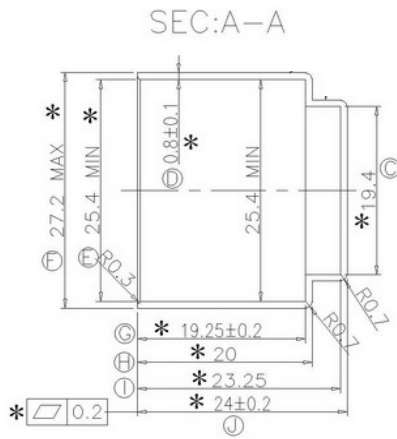
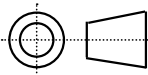



**Core Fit Reference**

<b>0814</b>		<b>EI-30</b>	<b>EI-37</b>
		<b>Metric</b>	<b>American</b>



CAN BE USED WITH BOBBIN  
 B-EIM30X12.5-1H-10-2-GFN8  
 B-EIM30X12.5H-10-2-GFN8

	<b>Scale</b>	<b>Tolerance (mm)</b>			<b>Terminal Plating</b>	<b>Terminal Material</b>	<b>No of Terminals</b>	
	None	0-4mm +/-0.1	4-16mm +/-0.2	16-60mm +/-0.3	100% Sn	CP Wire		
 <a href="http://www.lodestonepacific.com">www.lodestonepacific.com</a>	<b>Molding Material</b>	<b>UL File No.</b>	<b>Rating</b>	<b>Class</b>				
	Vydyne 909	E70062	UL94-V0	F				
	<b>Bobbin Part Number</b>				<b>Rev No</b>			
<b>BC-EIM30X12.5H-10-2-GFN8</b>				<b>1</b>				