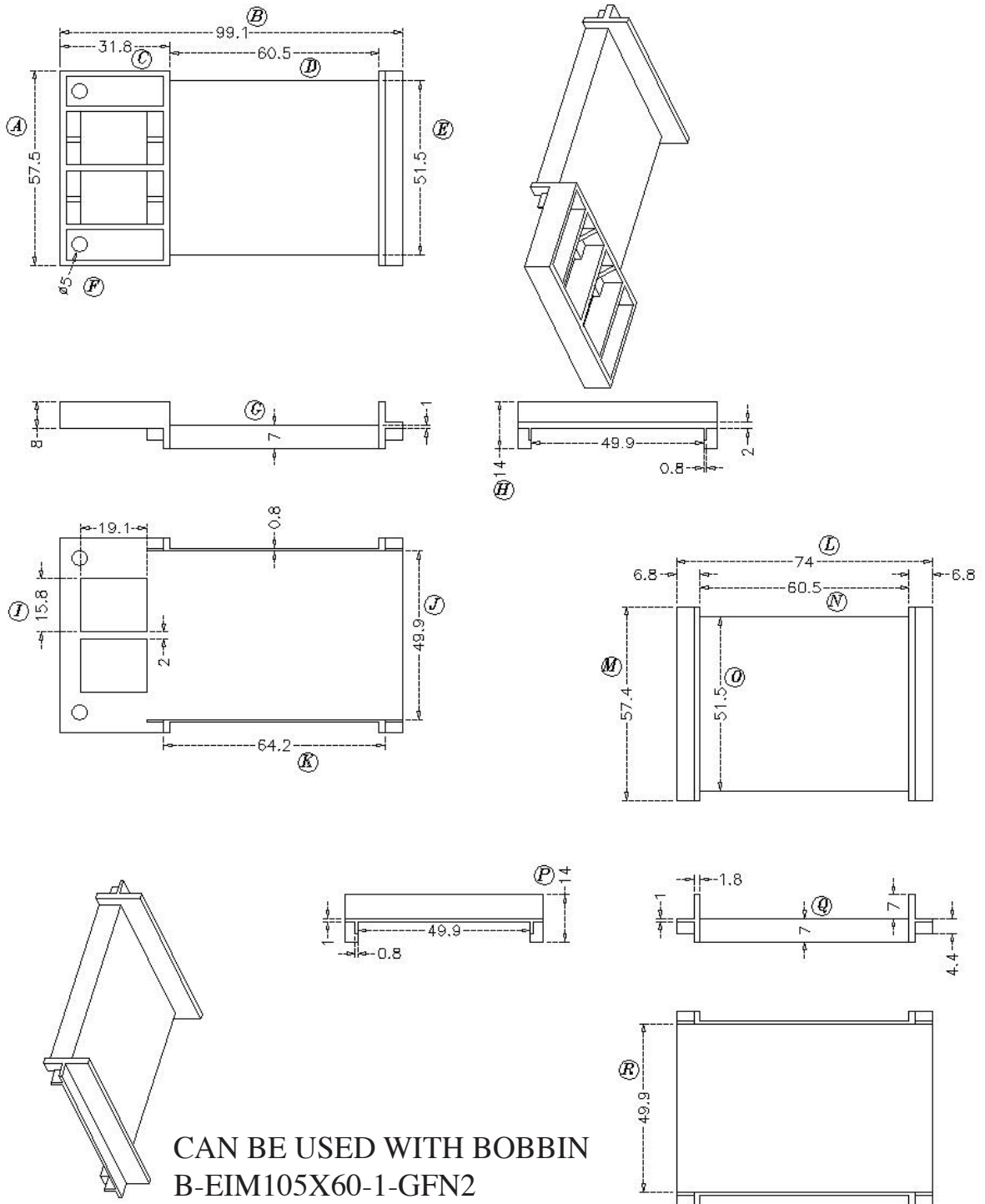
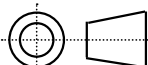


Core Fit Reference

1300		EI-105	EI-137
		Metric	American



CAN BE USED WITH BOBBIN
 B-EIM105X60-1-GFN2

	Scale	Tolerance (mm)			Terminal Plating	Terminal Material	No of Terminals	
	None	0-4mm +/-0.1	4-16mm +/-0.2	16-60mm +/-0.3	100% Sn	CP Wire		



LODESTONE PACIFIC

CHINA FACTORY

www.lodestonepacific.com

Molding Material	UL File No.	Rating	Class
70G33L	E41938	UL94-HP	F
Bobbin Part Number			Rev No
BC-EIM105X60-1-GFN2			1