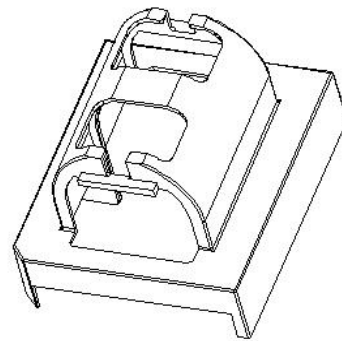
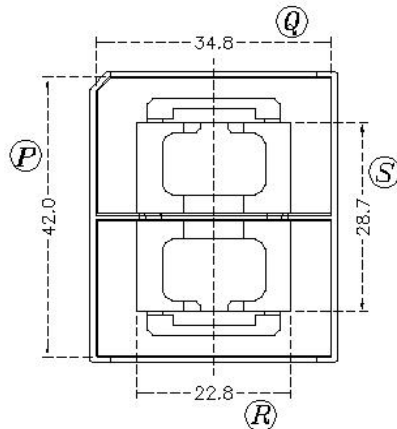
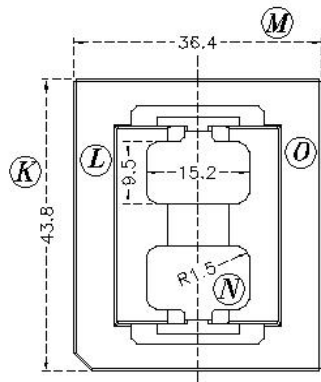
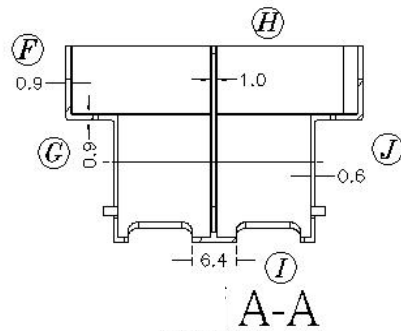
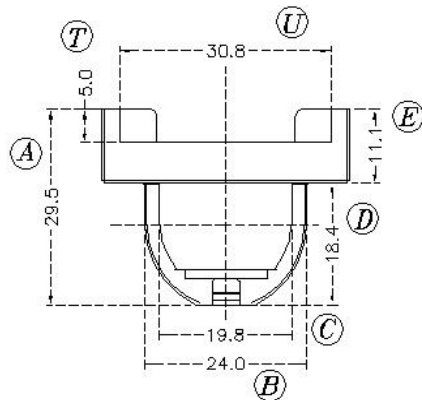
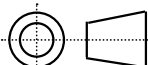


Core Fit Reference

0518	Forroxcube: ER35-****	Fair-Rite:94**354202	Magnetics:OX-43521-EC
	TDK:PCXXER35-Z	Simens:B66350	



CAN BE USED WITH BOBBIN
 B-EER3541H-14-2-PH2

	Scale	Tolerance (mm)			Terminal Plating	Terminal Material	No of Terminals	
	None	0-4mm +/-0.1	4-16mm +/-0.2	16-60mm +/-0.3	100% Sn	CP Wire		



Molding Material	UL File No.	Rating	Class
PM-9820	E41429	UL94-V0	N
Bobbin Part Number			Rev No
BC-EER3541H-14-2-PH2			1