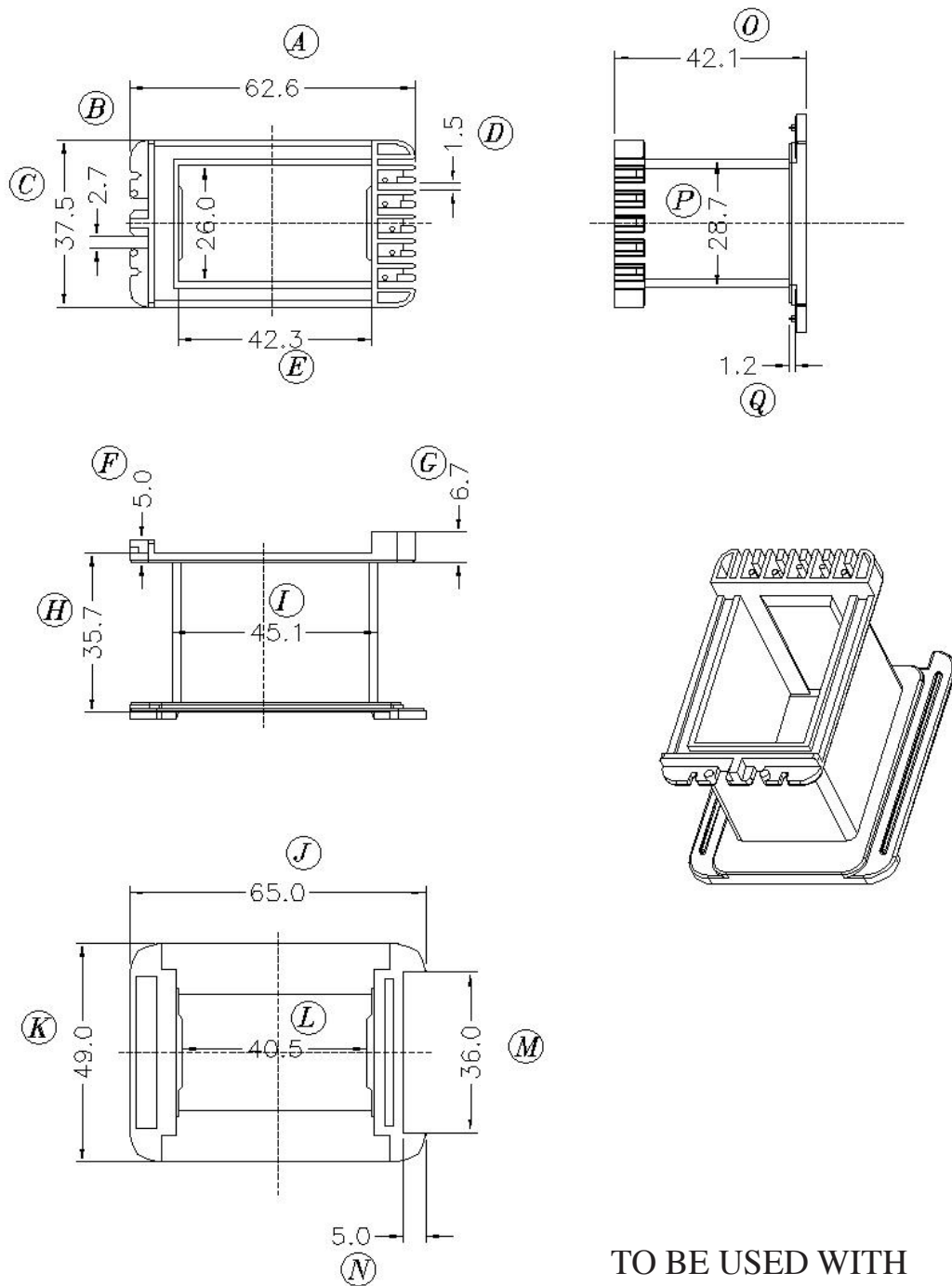
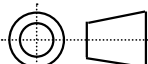


Core Fit Reference

0990		EI-76	EI-100
		Metric	American



TO BE USED WITH
 BA-EIM76X40-1-GFN2

	Scale	Tolerance (mm)			Terminal Plating	Terminal Material	No of Terminals	
	None	0-4mm +/-0.1	4-16mm +/-0.2	16-60mm +/-0.3	100% Sn	CP Wire		



Molding Material	UL File No.	Rating	Class
70G33L	E41938	UL94-HP	F
Bobbin Part Number			Rev No
BB-EIM76X40-1-GFN2			1