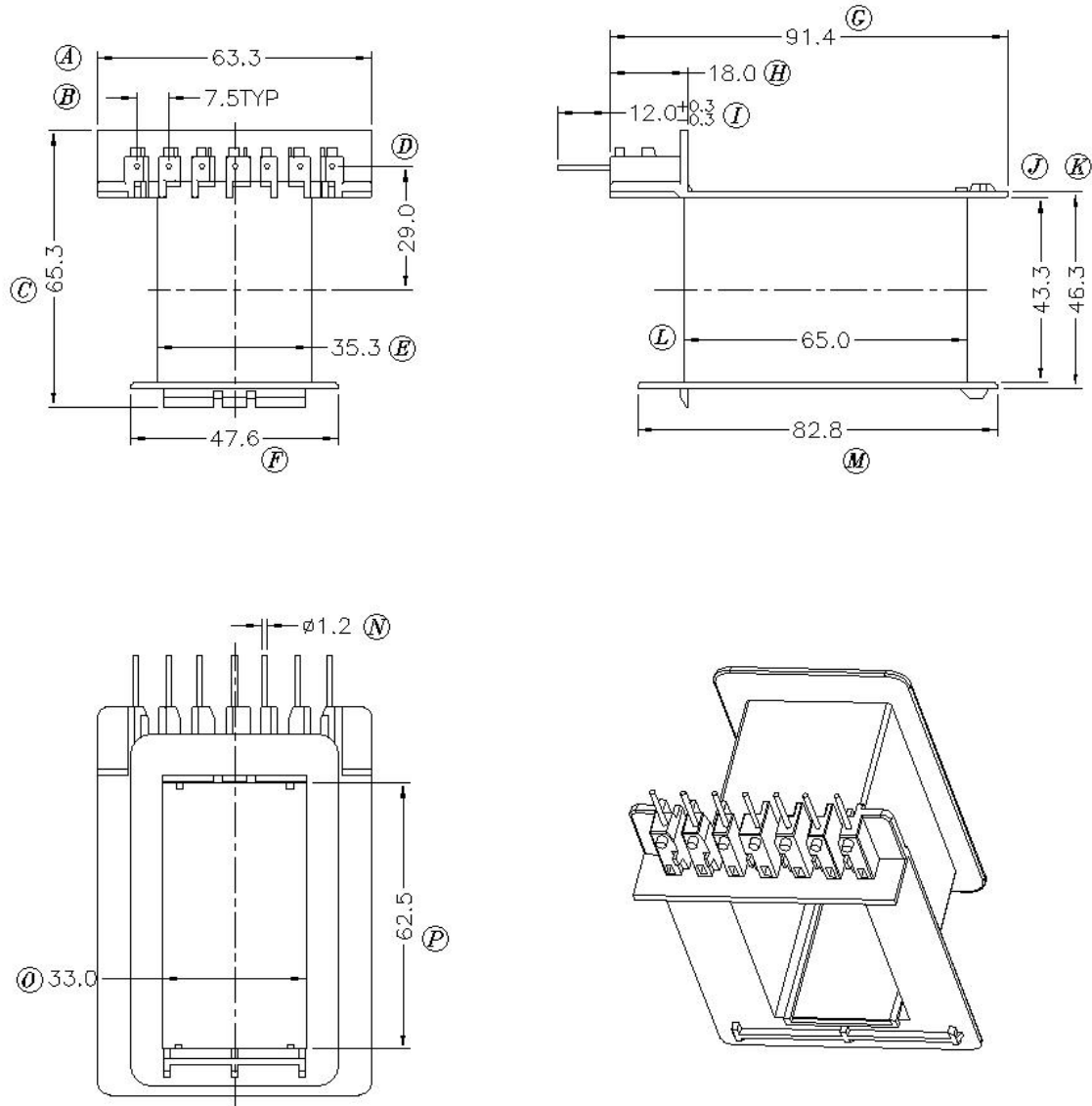
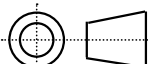


Core Fit Reference

0233		EI-96	EI-125
		Metric	American



TO BE USED WITH
 BB-EIM96X60H-12-1-PET

	Scale	Tolerance (mm)			Terminal Plating	Terminal Material	No of Terminals	
	None	0-4mm +/-0.1	4-16mm +/-0.2	16-60mm +/-0.3	100% Sn	CP Wire	7	



Molding Material	UL File No.	Rating	Class
FR530	E41938	UL94-V0	N
Bobbin Part Number			Rev No
BA-EIM96X60H-7-1-PET			1