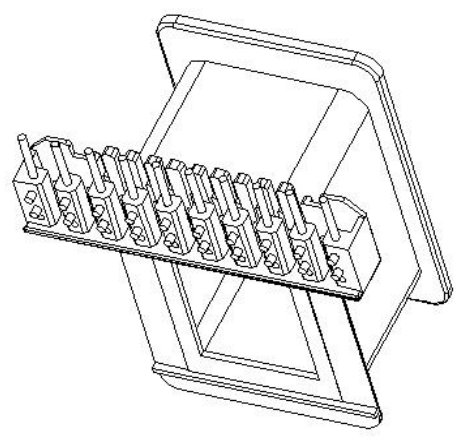
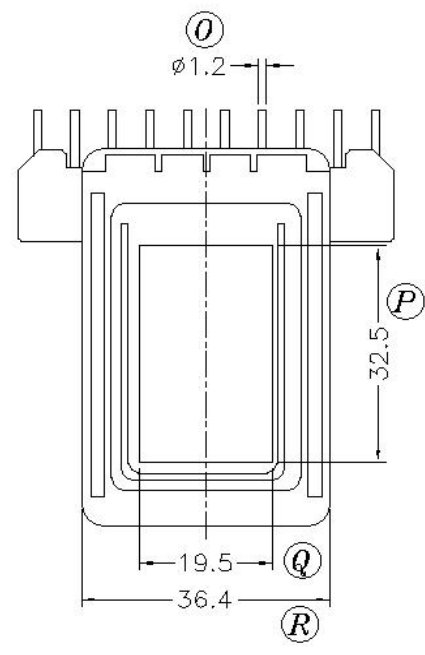
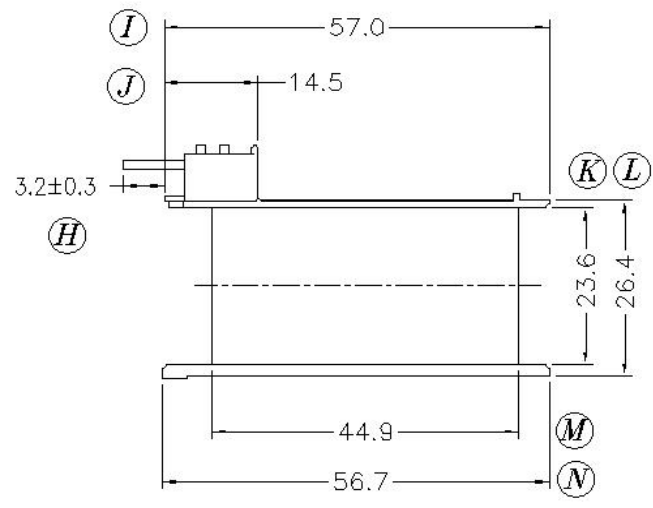
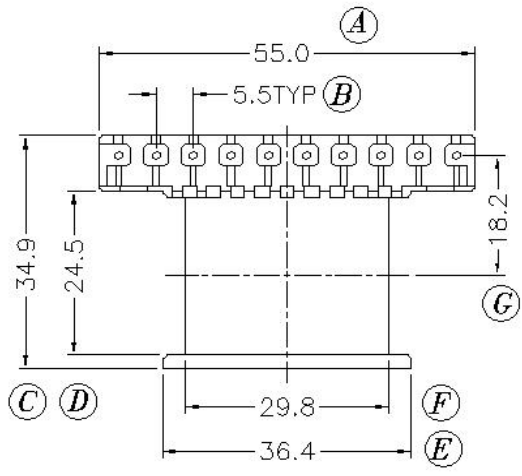
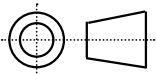


**Core Fit Reference**

<b>0197</b>		<b>EI-57</b>	<b>EI-75</b>
		<b>Metric</b>	<b>American</b>



TO BE USED WITH  
 BB-EIM57X30H-6-1-PET

	Scale	Tolerance (mm)			Terminal Plating	Terminal Material	No of Terminals	
	None	0-4mm +/-0.1	4-16mm +/-0.2	16-60mm +/-0.3	100% Sn	CP Wire	10	



Molding Material	UL File No.	Rating	Class
FR530	E41938	UL94-V0	N
<b>Bobbin Part Number</b>			Rev No
<b>BA-EIM57X30H-10-1-PET</b>			<b>1</b>