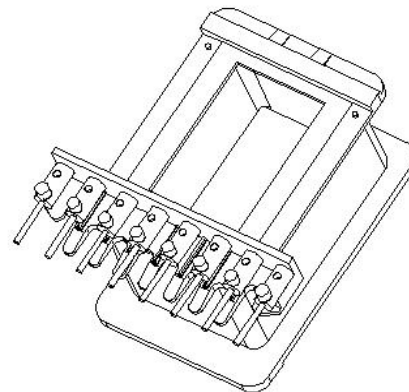
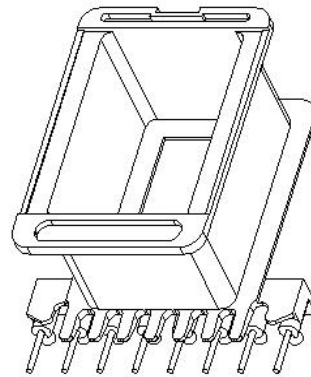
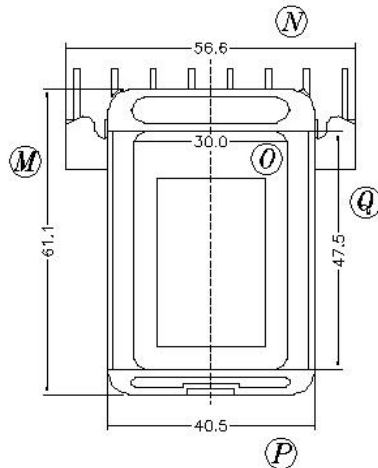
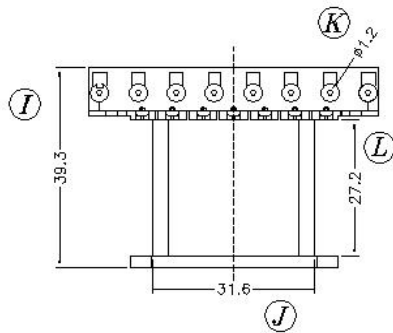
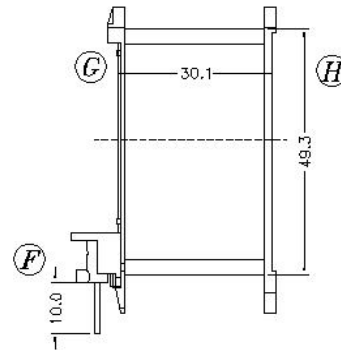
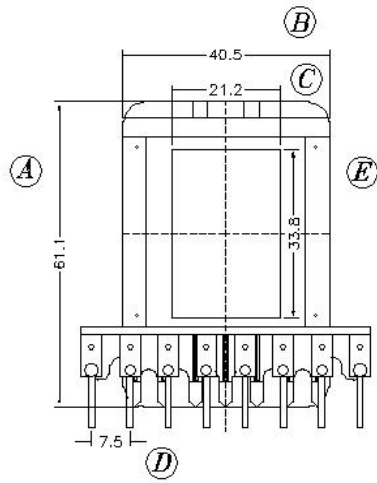
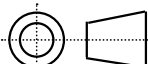


Core Fit Reference

0533		EI-54	EI-68
		Metric	American



TO BE USED WITH
 BB-EIM54X30.5-2H-5-1-PET

	Scale	Tolerance (mm)			Terminal Plating	Terminal Material	No of Terminals	
	None	0-4mm +/-0.1	4-16mm +/-0.2	16-60mm +/-0.3	100% Sn	CP Wire	8	



LODESTONE PACIFIC

CHINA FACTORY

www.lodestonepacific.com

Molding Material	UL File No.	Rating	Class
FR530	E41938	UL94-V0	N
Bobbin Part Number			Rev No
BA-EIM54X30.5-2H-8-1-PET			1