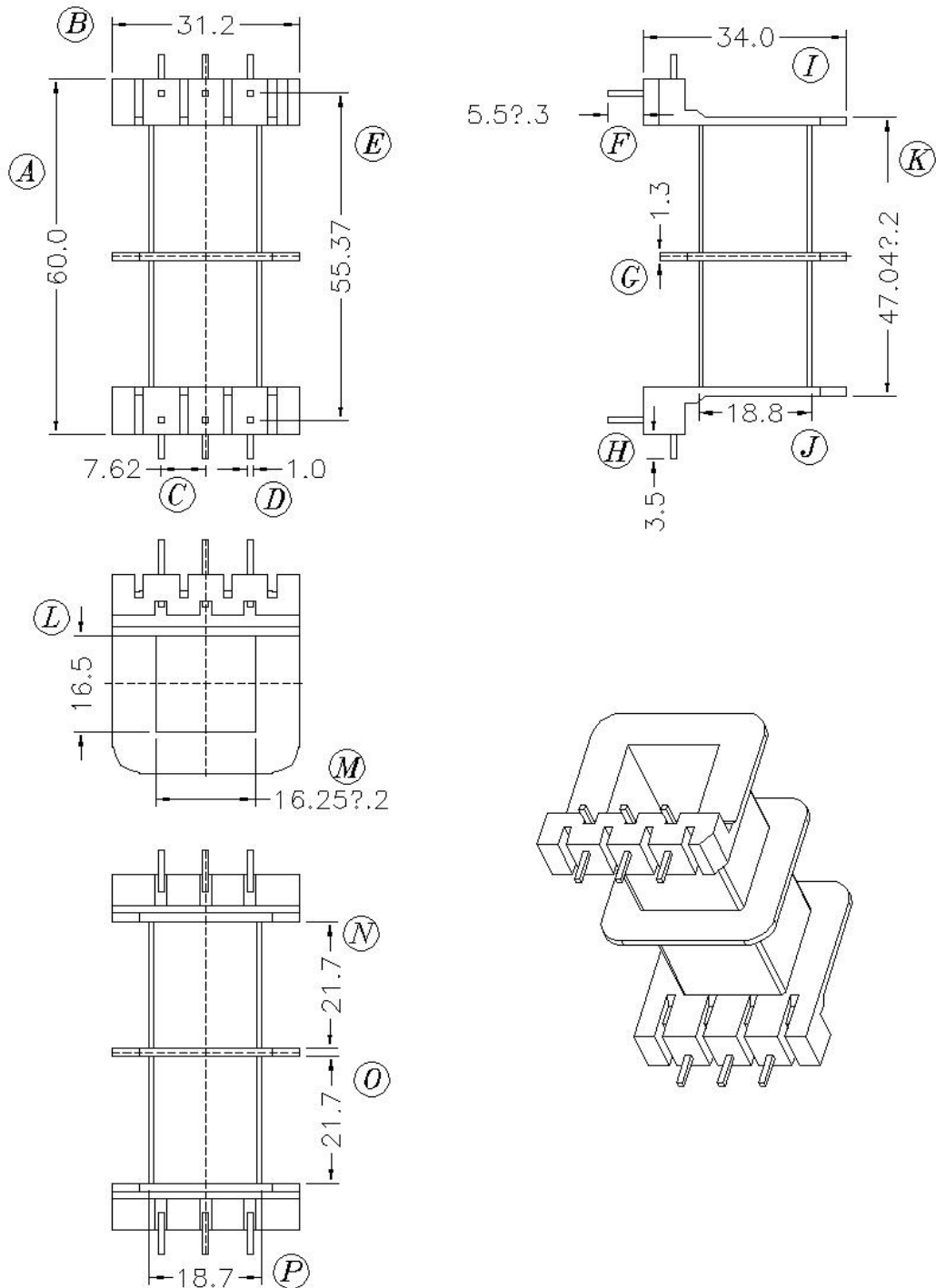
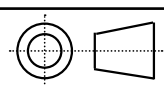


0429



	Scale	Tolerance (mm)			Terminal Plating	Terminal Material	No of Terminals	
	None	0-4mm +/-0.1	4-16mm +/-0.2	16-60mm +/-0.3	100% Sn	CP Wire	6	

 <p>LODESTONE PACIFIC CHINA FACTORY www.lodestonepacific.com</p>	Molding Material	UL File No.	Rating	Class	
	70G33L	E41938	UL94-HP	F	
	Bobbin Part Number				Rev No
	B-UIM48X16.5H-6-2-GFN2				1