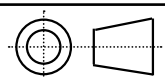
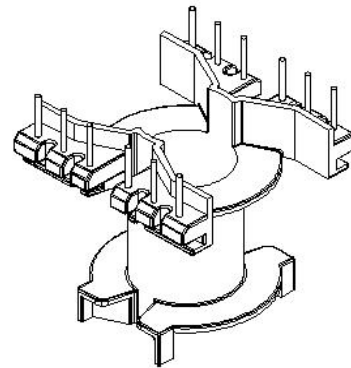
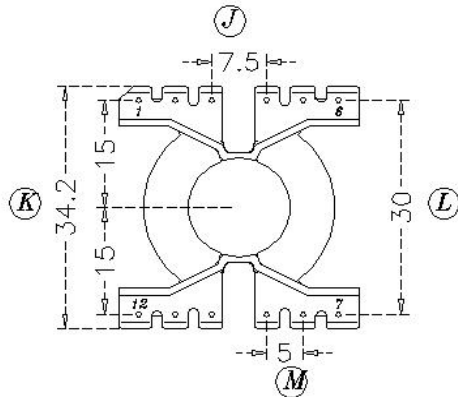
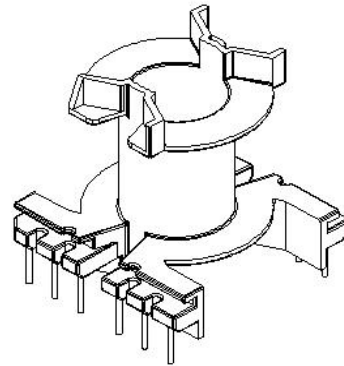
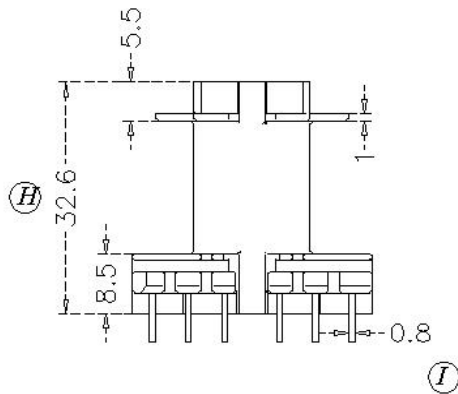
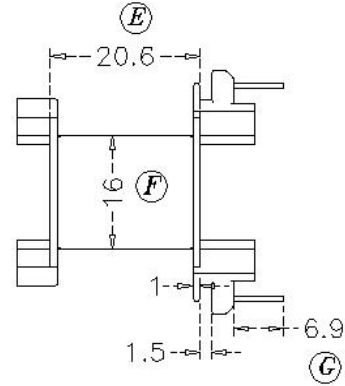
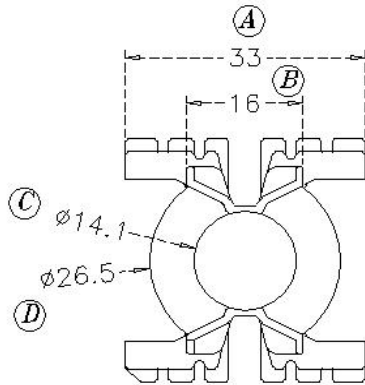


Core Fit Reference

1468	Forroxcube:PQ32/30_***_***	Fair-Rite:66XX323021	Magnetics:X-43230-UG
		Ferrite intl:32-30-00	Simens:B65879B



Scale	Tolerance (mm)		
None	0-4mm +/-0.1	4-16mm +/-0.2	16-60mm +/-0.3

Terminal Plating	Terminal Material	No of Terminals	
100% Sn	CP Wire	12	



LODESTONE PACIFIC

CHINA FACTORY

www.lodestonepacific.com

Molding Material	UL File No.	Rating	Class
T375J	E59481	UL94-V0	F
Bobbin Part Number			Rev No
B-PQ3230-1V-12-1-PH3			1